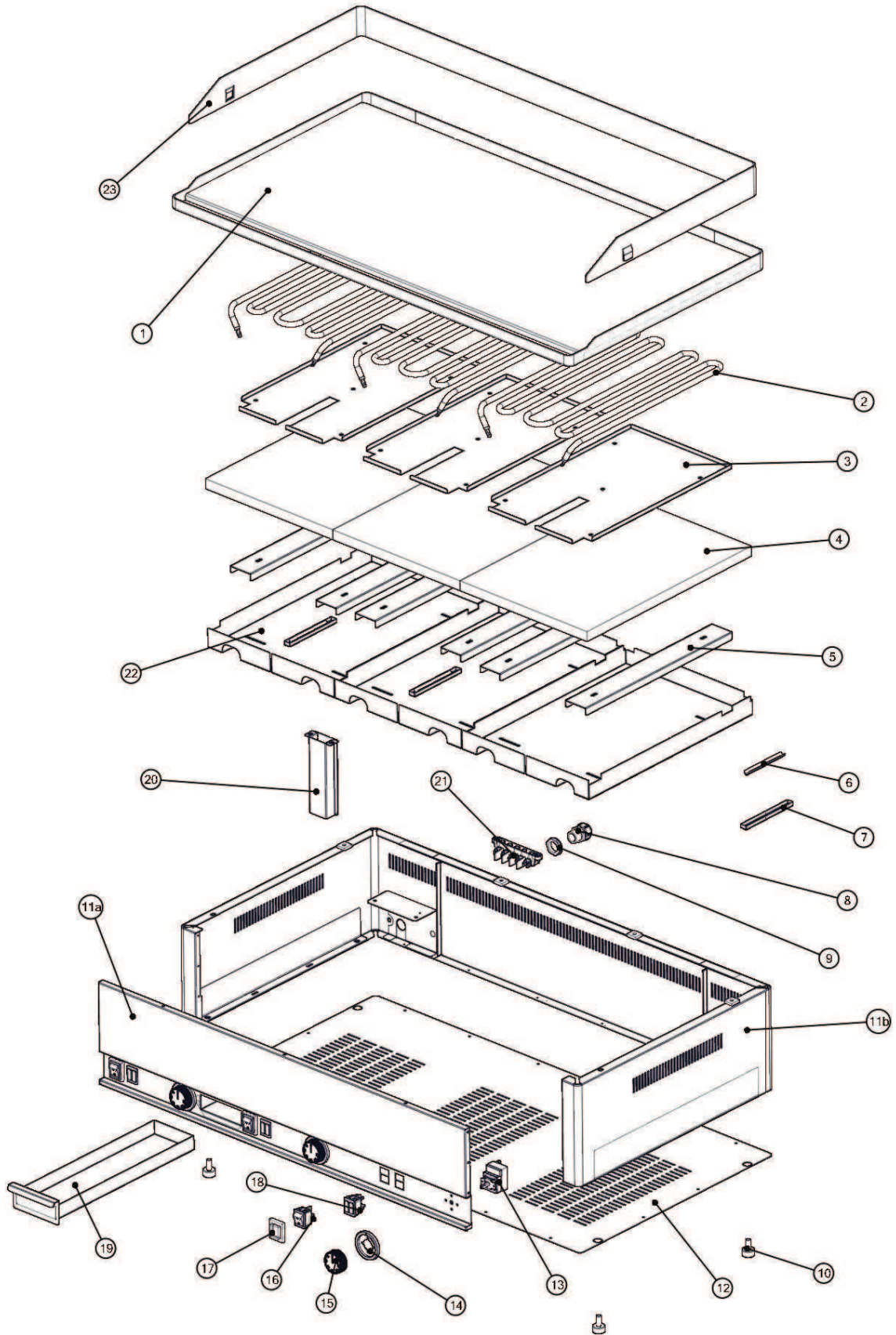


# FTH-90 E / FTH-C 90 E



FTH 90 E

	CODE		CODE		CODE		CODE
1	501005633	7	451008600	12	450401230	18	401510001
2	401025000B	8	402086016	13	402503000	19	503000758
3	451007500A	9	402086216	14	402595000	20	501002100
4	407502118	10	409083050	15	402593000	21	402080102
5	451008716	11a	451018090	16	401500500	22	451018110
6	451008700	11b	501000750	17	401509000	23	451030300

FTH-C 90 E

	CODE		CODE		CODE		CODE
1	501005637	7	451008600	12	450401230	18	401510001
2	401025000B	8	402086016	13	402503000	19	503000758
3	451007500A	9	402086216	14	402595000	20	501002100
4	407502118	10	409083050	15	402593000	21	402080102
5	451008716	11a	451018090	16	401500500	22	451018110
6	451008700	11b	501000750	17	401509000	23	451030300