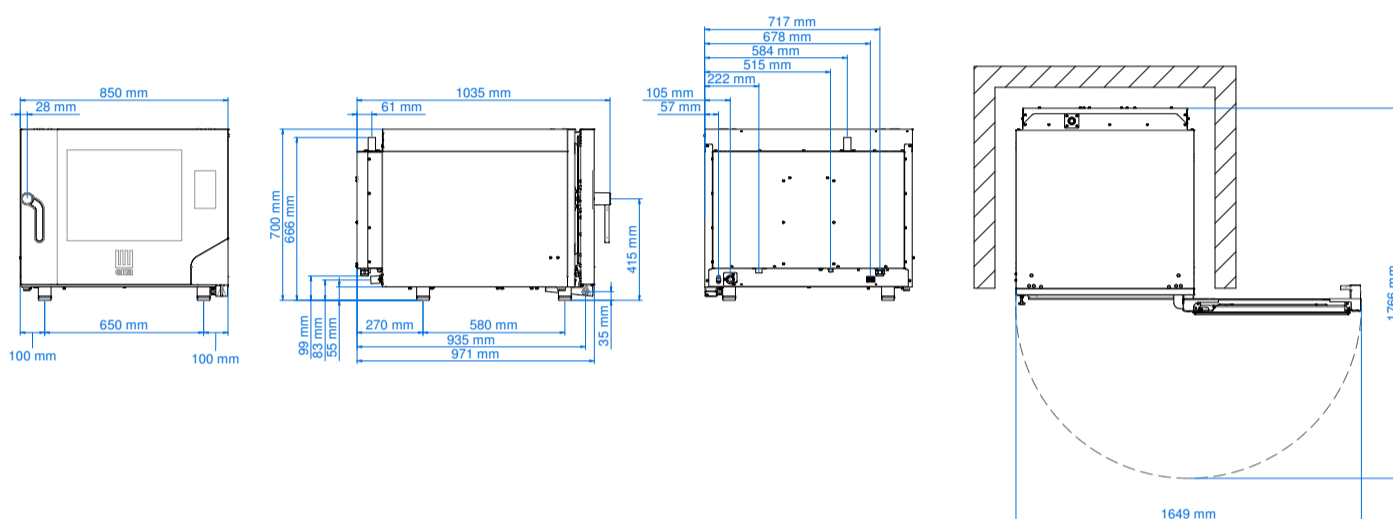


# MKF 464 BM



Electric combi oven 4 trays 600 x 400 mm  
with digital touch panel with  
**BLACK MASK** technology



## Dimensional features

Dimensions (WxDxH mm)	850 x 1035 x 700
Weight (kg)	92,4
Distance between rack rails (mm)	80

## Electrical features

Power supply (kW)	7,8
Frequency (Hz)	50/60
Voltage (V)	AC 380/400 3N
N° motors	1 bidirectional
Boiler (kW)	/
Protection against water	IPX4

## Functional features

Power	Electricity
Capacity	4 trays/grids 600 x 400 mm
Type of cooking	Semistatic + ventilated
Steam	Direct steam controlled by touch screen (10 levels)
Cooking chamber	AISI 304 stainless steel
Temperature	30 - 270 °C
Temperature control	Digital probe thermometer
Control panel	Black mask electronic control
N° programs	100
Programmable cooking steps	10
Pre-heating temperature	180 °C
Pre-heating function	Programmable
Door	Right side opening Ventilated Inspectionable glass
Modularity	Yes
Feet	Adjustable

## Optionals

Condensation hood	<b>MKCC 4</b>
Kit for overlapping ovens	<b>MKS 64</b> <b>MKSST 464</b>
Tables	<b>MKTS 64</b> <b>MKT 64 D</b>
Proofer and holding cabinet	<b>MKLM 1064</b>
Other accessories	Available in the dedicated section

## Equipment

Cardboard box dimensions with pallet (WxDxH mm)	910 x 1090 x 865 mm
Lateral supports	1 right + 1 left
Cable	Three-phase+neutral [5G 2,5]-L=1600 mm
USB port	
Core probe predisposition	
Automatic washing system predisposition	
Condensate collection bowl, with drain on door	
Hinge with door locking for openings adjusted at 60°, 90°, 120°, 180°	

## Plus

Patented fan guard system <b>Airflowlogic™</b>	
Patented system for direct steam <b>Humilogic™</b>	
Available on request at the order	Voltage (V) : AC 220/230 3 PH Voltage (V) : AC 220/230 Left side opening door
Humidity management software	
Programmable oven start	
N° 40 recipes stored	
HACCP system	
Adjustable door hinges	