

## Spin Dryers

### Vegetable Dryer, 10kg with resin basket

ITEM # \_\_\_\_\_

MODEL # \_\_\_\_\_

NAME # \_\_\_\_\_

SIS # \_\_\_\_\_

AIA # \_\_\_\_\_


**601979 (ELX65F5)**

Vegetable Dryer, 12 Kg with resin basket - 230-400V/3/50

**601987 (ELX65F25)**

Vegetable Dryer, 12 Kg with resin basket - 230-240V/1/50

### Short Form Specification

**Item No.** \_\_\_\_\_

Body and panels in stainless steel, lid in plastic material. Removable resin basket (65 litres). Flat and waterproof touch button control panel. Two cycles: "automatic" which alternates rotation with several sudden stops (for all vegetables); "manual" thanks to the adjustable timer up to 59 minutes (for delicate vegetables). Residual water is eliminated through an outlet pipe. Equipped with self-braking motor which stops the machine after the set drying time or if the lid is open during the cycle. IP55 and IP34 protection. V-ribbed belt drive. Basket rotation speed: 330 rpm. Load capacity: 10 kg, - 18 lettuce heads.

### Main Features

- Spin drying automatic cycle with short drying time (1 to 2 minutes).
- "Automatic" cycle alternates rotation to several sudden stops, suitable for all vegetables.
- "Manual" cycle uses adjustable timer up to 59 minutes, to be used for delicate vegetables.
- Outlet pipe eliminates residual water.
- Timer with digital display and countdown.
- Safety device stops the machine when the cover is opened.
- Electrical braking system to stop basket rotation in a matter of seconds at the end of the cycle or when lid is opened.
- Heavy vegetables load per cycle: 10 Kg
- Light vegetables load per cycle: 18 units of lettuce heads.

### Construction

- Stainless steel body and panels.
- Removable resin basket, 65 liters capacity.
- Basket rotates at approximately 330 rpm.

### Included Accessories

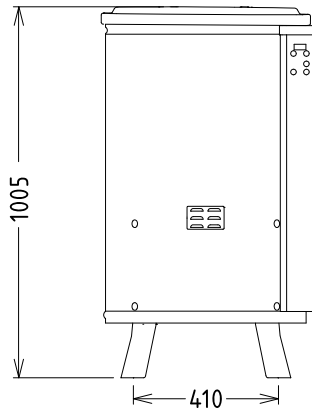
- 1 of Additional plastic basket for 10 kg vegetable dryer PNC 653304

### Optional Accessories

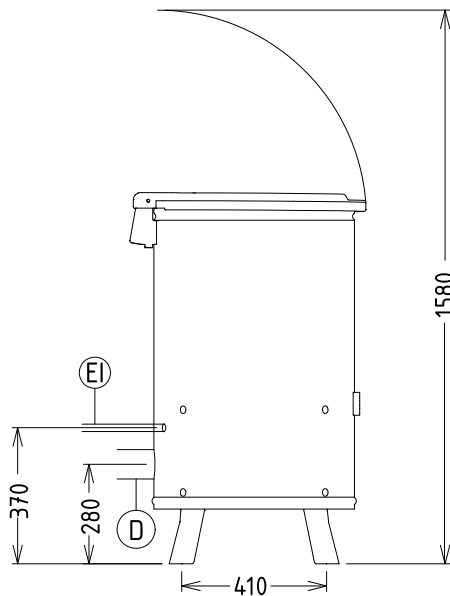
- Stainless steel basket for 10 kg vegetable dryer PNC 653303
- Additional plastic basket for 10 kg vegetable dryer PNC 653304

APPROVAL: \_\_\_\_\_

Front

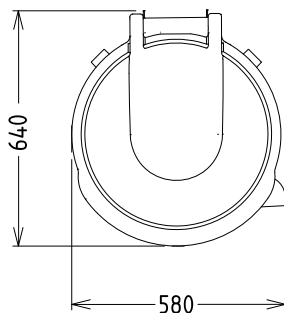


Side



D = Drain  
EI = Electrical inlet (power)

Top



### Electric

#### Supply voltage:

|                   |                       |
|-------------------|-----------------------|
| 601979 (ELX65F5)  | 230/400 V/3 ph/50 Hz  |
| 601987 (ELX65F25) | 230-240 V/1N ph/50 Hz |

Electrical power max.: 0.75 kW

Total Watts: 0.75 kW

### Capacity:

Performance (up to): 10 - kg/Cycle

### Key Information:

|                                    |                     |
|------------------------------------|---------------------|
| Well Capacity:                     | 65 lt               |
| Usable well capacity:              | 65 lt               |
| Load per cycle - light vegetables: | 18 UNITS OF LETTUCE |
| External dimensions, Width:        | 578 mm              |
| External dimensions, Height:       | 1005 mm             |
| External dimensions, Depth:        | 639 mm              |
| Shipping weight:                   |                     |
| 601979 (ELX65F5)                   | 68 kg               |
| 601987 (ELX65F25)                  | 64 kg               |