



# Electrolux

## Modular Cooking Range Line 700XP 3 Door Refrigerated Base

ITEM # \_\_\_\_\_

MODEL # \_\_\_\_\_

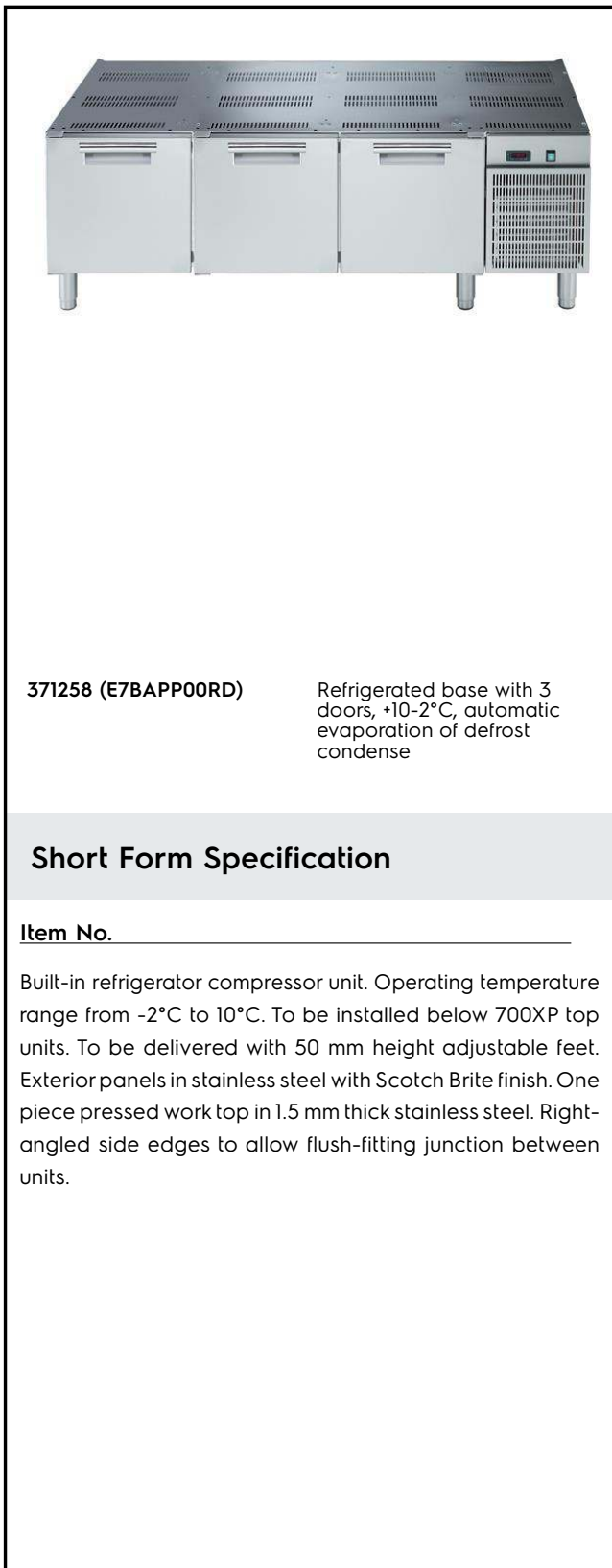
NAME # \_\_\_\_\_

SIS # \_\_\_\_\_

AIA # \_\_\_\_\_



Electrolux



371258 (E7BAPP00RD)

Refrigerated base with 3 doors, +10-2°C, automatic evaporation of defrost condense

### Short Form Specification

**Item No.** \_\_\_\_\_

Built-in refrigerator compressor unit. Operating temperature range from -2°C to 10°C. To be installed below 700XP top units. To be delivered with 50 mm height adjustable feet. Exterior panels in stainless steel with Scotch Brite finish. One piece pressed work top in 1.5 mm thick stainless steel. Right-angled side edges to allow flush-fitting junction between units.

### Main Features

- Unit can be easily installed below other 700 line top models.
- Unit delivered with 50 mm height adjustable feet in Stainless steel.
- Adjustable temperature range from -2 °C to +10 °C to suit meat, fish and dairy storage requirements.
- Anti-tilt runners accept GN 1/1 containers.
- Forced air circulation for rapid cooling and an even temperature distribution.
- Right angled side edges eliminate gaps and possible dirt traps between units.
- Defrosting and automatic evaporation of condense drain: the condense is automatically evaporated thanks to the electric resistance in the condense drain container.
- Designed for modular installation into the cooking block.

### Construction

- Exterior panels in Stainless steel with Scotch Brite finish to meet the highest hygiene standards.
- Built-in compressor to suit operating conditions.
- Access to all components from the front.
- CFC free (ecological refrigerant type: R404a, - gas in foam: cyclopentane).

### Optional Accessories

- Flanged feet kit PNC 206136
- Frontal kicking strip for concrete installation, 1600mm PNC 206152
- Frontal kicking strip, 1600mm (not for refr-freezer base) PNC 206179
- Kit 4 feet for concrete installation (not for 900 line free standing grill) PNC 206210
- 2 panels for service duct for single "top on base" installation PNC 206248
- Pair of side kicking strips PNC 206249
- Pair of side kicking strips for concrete installation PNC 206265
- 2 drawers for refrigerated base PNC 206351
- Base support for feet or wheels - 1600mm (700/900) PNC 206369

APPROVAL: \_\_\_\_\_



**Electrolux**

**Modular Cooking Range Line  
700XP 3 Door Refrigerated Base**

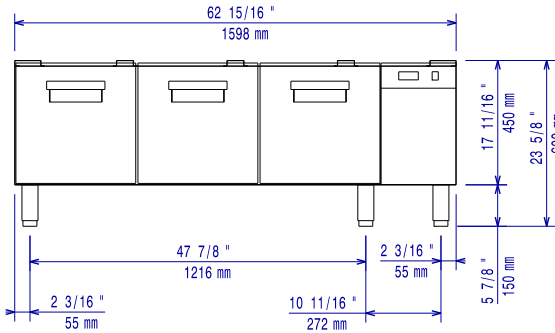
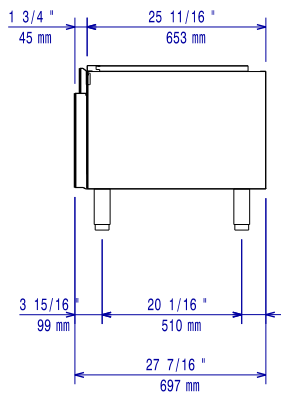
- Kit 6 wheels - 3 swivelling with brake PNC 206432  
□
- 2 side covering panels for free PNC 216000  
standing appliances □



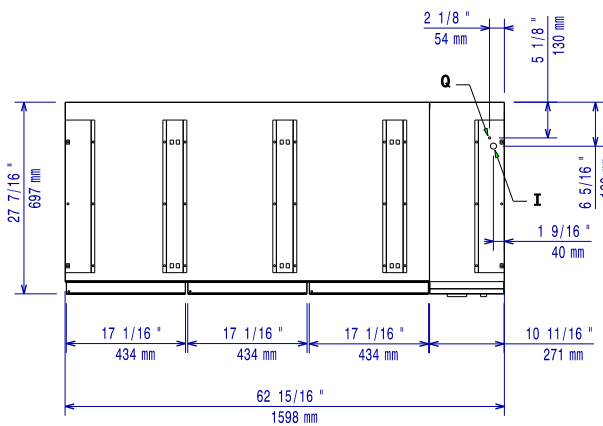
**Modular Cooking Range Line  
700XP 3 Door Refrigerated Base**

The company reserves the right to make modifications to the products without prior notice. All information correct at time of printing.

2018.10.30

**Front**

**Side**


D = Drain  
EI = Electrical inlet (power)

**Top**


## Electric

<b>Supply voltage:</b>	<b>371258 (E7BAPP00RD)</b>	230 V/1N ph/50 Hz
<b>Electrical power max.:</b>		0.5 kW
<b>Total Watts:</b>		0.5 kW
<b>Predisposed for:</b>		

## Key Information:

<b>Gross capacity:</b>	240 lt
<b>External dimensions, Width:</b>	1600 mm
<b>External dimensions, Height:</b>	600 mm
<b>External dimensions, Depth:</b>	700 mm
<b>Net weight:</b>	110 kg
<b>Shipping weight:</b>	118 kg
<b>Shipping height:</b>	800 mm
<b>Shipping width:</b>	860 mm
<b>Shipping depth:</b>	1700 mm
<b>Shipping volume:</b>	1.17 m <sup>3</sup>

## Refrigeration Data

<b>Refrigerant type:</b>	R404a
<b>Refrigeration power:</b>	510 W
<b>Refrigerant weight:</b>	400 g