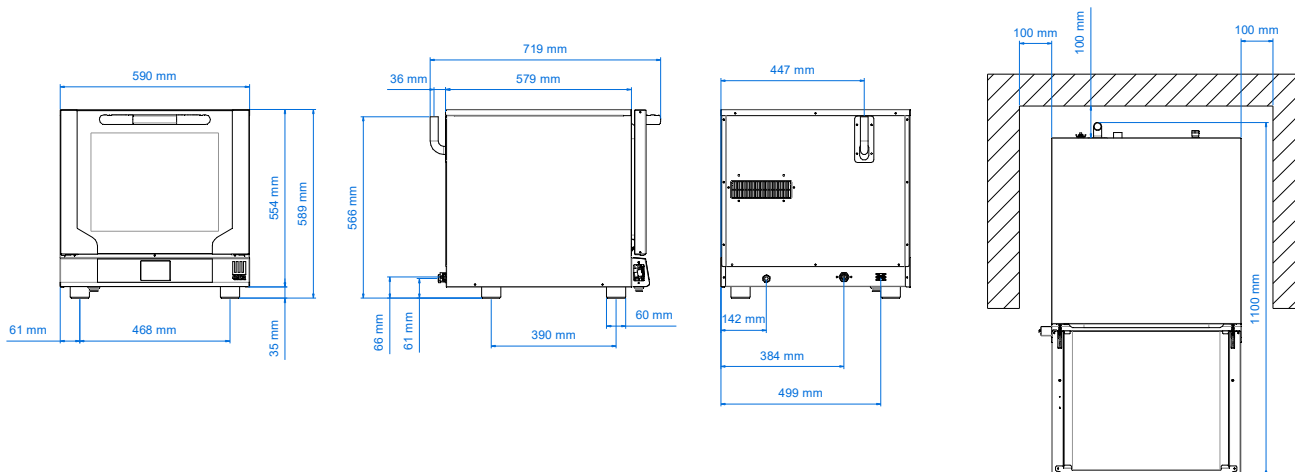


# EKF 423 NT UD



## ELECTRIC COMBI OVEN WITH TOUCH SCREEN AND DIRECT STEAM



### DIMENSIONAL FEATURES

Oven dimensions (WxDxH mm)	590	719	589
Oven weight (kg)	38		
Distance between rack rails (mm)	74		

### ELECTRICAL FEATURES

Power supply (kW)	3,15
Frequency (Hz)	50/60
Voltage (Volt)	AC 220/230
N° of motors	1 Bidirectional
Boiler	/
Protection against water	IPX3

### EQUIPMENT

Cardboard box dimensions (WxDxH mm)	650	760	600
Aluminium tray 429x345	4 pcs (cod. KV7)		
Lateral supports	1 right + 1 left		
Cable	Single-phase [3G 1,5]-L=1600 mm		
USB port			

### FUNCTIONAL FEATURES

Power	Electricity
Capacity	N° 4 trays/grids 429x345 mm
Type of cooking	Ventilated
Steam	Direct steam controlled by touch screen and 10-step display [%]
Cooking chamber	AISI 304 Stainless steel
Temperature	30 - 260 °C
Temperature control	Digital probe thermometer
Control panel	Touch-Lower side
N° of programs	100
Programmable cooking steps	5
Pre-heating temperature	180 °C
Pre-heating function	Available
Programmable oven start	Available
Door	Tilt door Ventilated Inspectionable glass
Modularity	Available

### PLUS

Core probe setup (on request)
Core probe (on request)
Core probe support (on request)
Wi-Fi module (on request)