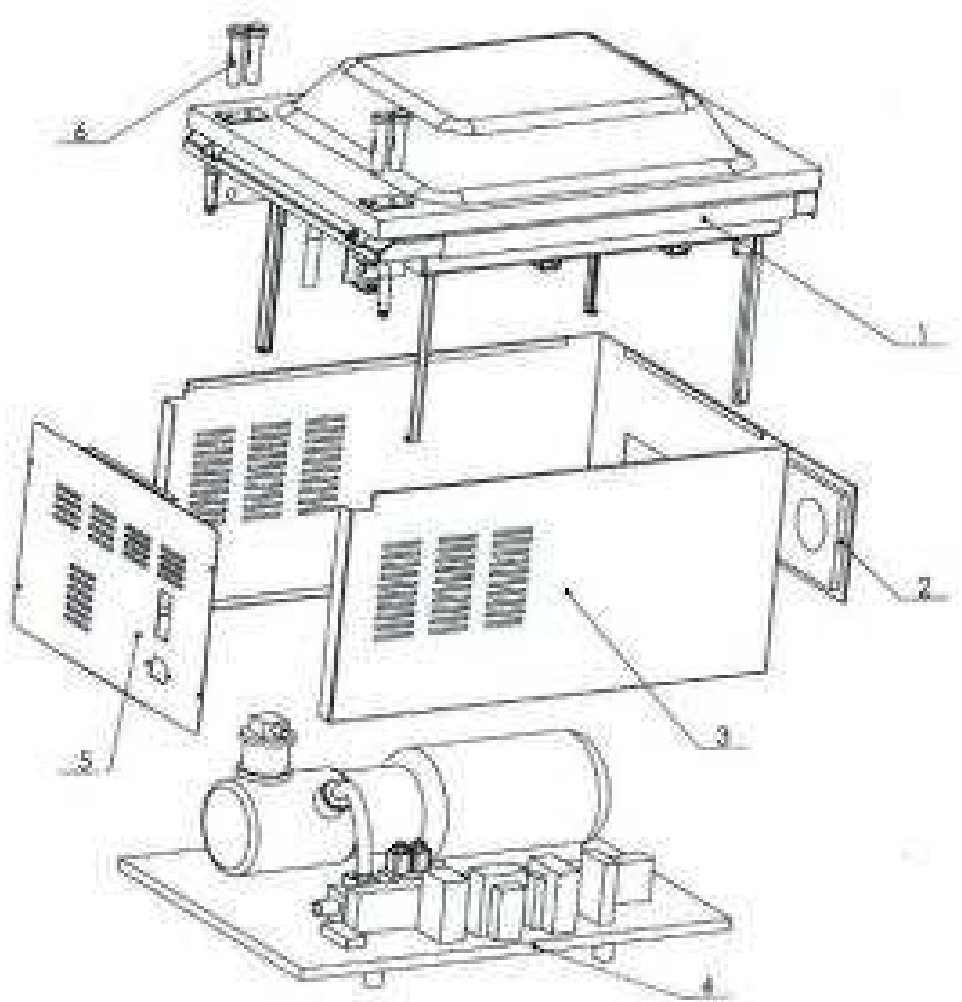
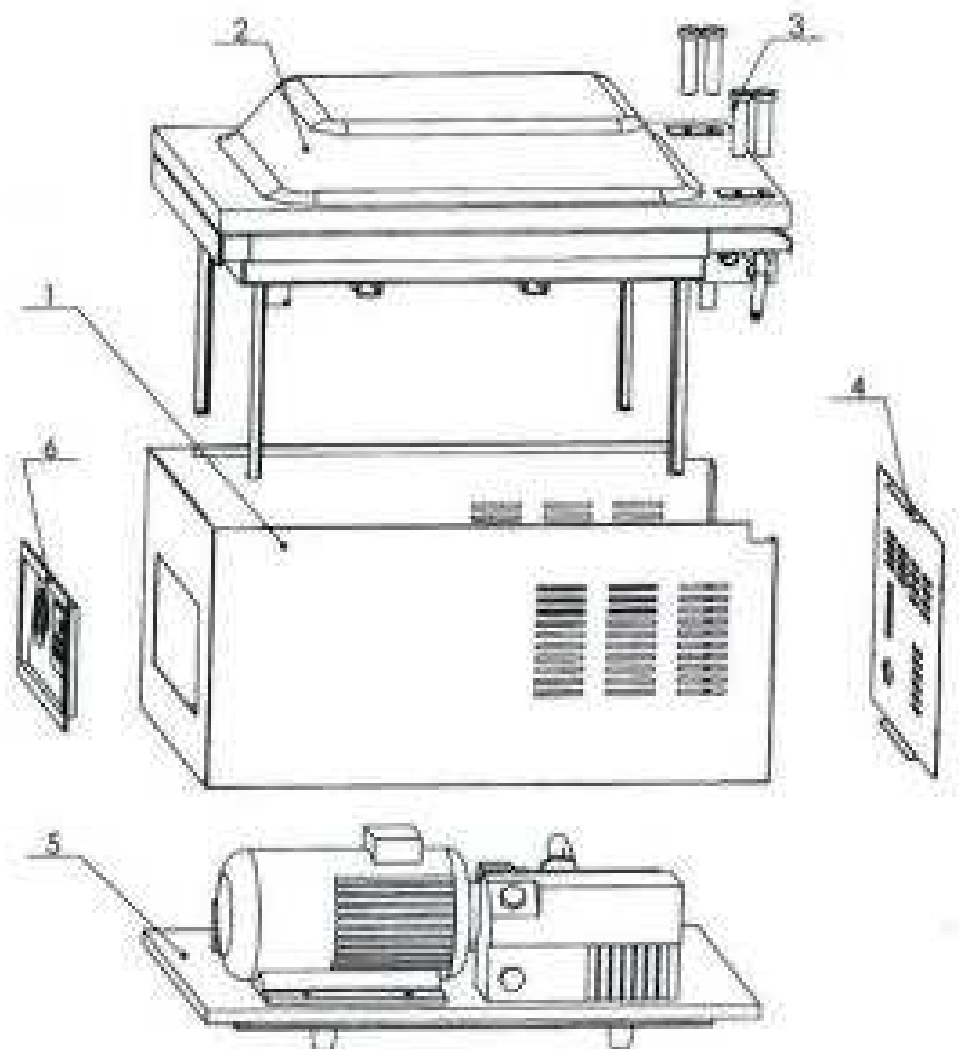


1. vacuum chamber
2. control panel
3. outer case
4. electrical parts
5. back cover
6. screws



1. outer case
2. vacuum chamber
3. screws
4. back cover
5. electrical parts
6. control panel



1. weldment
2. lid
3. right hinge base
4. left hinge base
5. hinge axis
6. right hinge
7. left hinge
8. tube
9. heating standard
10. sealing standard
11. board
12. gasbag
13. sealing standard
14. sealing bar
15. metal board
16. heating wire
17. wire pressing standard
18. wirel pressing stick
19. sealing cloth
20. cloth pressing board
21. screw
22. gasket

