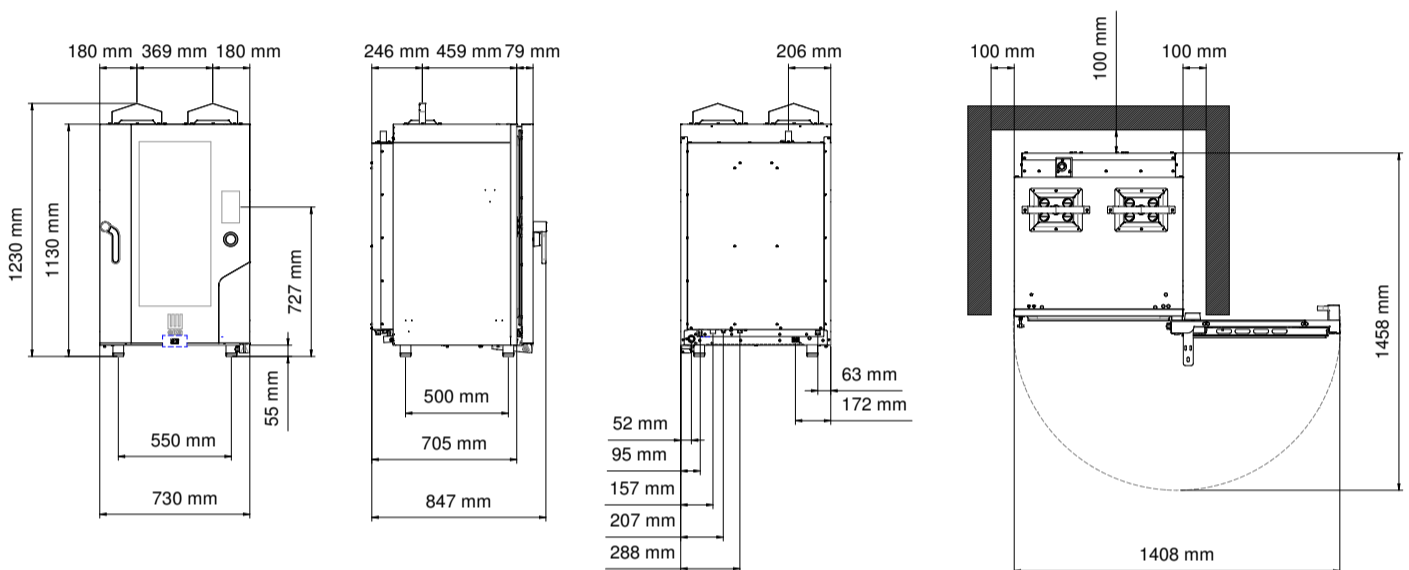


MKF 1111 GTS



Gas combi oven 11 trays 1/1 GN
with TOUCH SCREEN



Dimensional features

Dimensions (WxDxH mm)	730 x 850 x 1230
Weight (kg)	141
Distance between rack rails (mm)	68

Electrical features

Thermal supply (kW)	17,5
Frequency (Hz)	50/60
Voltage (V)	AC 220/230
N° motors	3 bidirectionals
Boiler (kW)	/
Protection against water	IPX3

Functional features

Power	Multigas (tested for natural gas)
Capacity	N° 11 trays/grids 1/1 GN
Type of cooking	Semistatic + ventilated
Steam	Direct steam controlled by touch screen (10 levels)
Cooking chamber	AISI 304 stainless steel
Temperature	30 - 260 °C
Temperature control	Digital probe thermometer
Control panel	Touch screen
N° programs	500
Programmable cooking steps	10
Pre-heating temperature	180 °C
Pre-heating function	Programmable
Door	Right side opening Ventilated Inspectionable glass
Feet	Adjustable

Optionals

Kit for overlapping ovens	MKS 11
Tables	MKTS 11
Holding cabinet	MKM 1211
Other accessories	Available in the dedicated section

Equipment

Cardboard box dimensions with pallet (WxDxH mm)	790 x 905 x 1300 mm
Lateral supports	1 right + 1 left
Cable	Single-phase [3G 1,5]-L=1600 mm
USB port	
Multipoint core probe cod.	MKSCMU/A
Support for core probe cod.	MKSSC/A
Automatic washing system integrated	
Condensate collection bowl, with drain on door	
Hinge with door locking for openings adjusted at	60°, 90°, 120°, 180°
Nozzle for LPG	

Plus

Patented fan guard system	Airflowlogic™
Patented system for direct steam	Humilogic™
Patented system for cooking chamber drying	Drylogic™
Available on request at the order	Left side opening door
Humidity management software	
Wi-Fi communication system	
Knob for quick selection of the touch screen	
Programmable oven start	
N° 40 recipes stored	
Control panel in 42 languages:	Arabic, Armenian, Azerbaijani, Bahasa (Indonesia), Bahasa (Malaysia), Bosnian, Bulgarian, Chinese, Croatian, Czech, Danish, Dutch, English, Estonian, Finnish, French, Georgian, German, Greek, Hungarian, Icelandic, Italian, Japanese, Kazakh, Latvian, Lithuanian, Norwegian, Persian (Iran), Philippine, Polish, Portuguese, Romanian, Russian, Serbian, Slovenian, South Korean, Spanish, Swedish, Thai, Turkish, Ukrainian, Vietnamese
HACCP system	
Adjustable door hinges	
Regulation	2016/426/UE