

Item
Model
ProjectName



660034

FEATURES

- Units are mounted on adjustable stainless steel legs.
- Inclined well bottom to allow automatic cleaning of the part.
- Perforated stainless steel filters easy to remove.
- Washing well shaped to achieve an efficient water vortex.

Tilting basket

A complete line of Food Washers to fulfil a key process in every professional kitchen: the cleaning of large quantities of food, a fundamental phase to guarantee the requested hygiene levels. These models with tilting basket has been especially studied to facilitate the loading and unloading operations. They are available in two different capacities, 300 or 500 Lt, with or without programmable washing cycles.

- Simple control panel: on/off, emergency stop, operating cycle, well drainage and raising and lowering of the basket with acoustic alarm switch.
- "Soft-action" ball valve for regulating loading and pressure of the wash water.

Vegetable washer



DITO**Electrolux**

- Timer switch for the wash cycle length.
- Multiple diffuser for uniform entry of water into the well.
- Water loading and drainage solenoid valve for rapid operations.
- Overflow with suitable stainless steel filter.
- Internal and external components constructed from AISI 304 stainless steel to meet the highest hygiene standards.
- IPX5 water protection.

Specifications

MODEL	LV300R 660034	LV301R 660030	LV500R 660036	LV501R 660037
External dimensions - mm				
width	1500	1500	1800	1800
depth	900	900	1000	1000
height	850	850	850	850
Usable well capacity - lt	300	300	500	500
Loading capacity - kg.				
light vegetables	10	10	14	14
heavy vegetables	40	40	70	70
Programmable washing cycle		✓		✓
Electric powered tilting	✓	✓	✓	✓
Power - kW				
auxiliary	0.1	0.1	0.1	0.1
Electrical power - kW	1.2	1.2	1.6	1.6
Net weight - kg.	190	190	242	242

Optional accessories

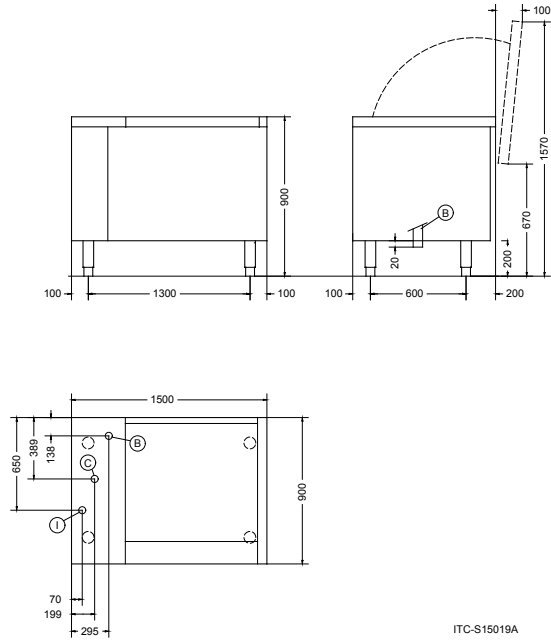
CODE	DESCRIPTION	LV300R 660034	LV301R 660030	LV500R 660036	LV501R 660037
661040	MOBILE TANK WITH FALSE BOTTOM - 140 L	✓	✓	✓	✓



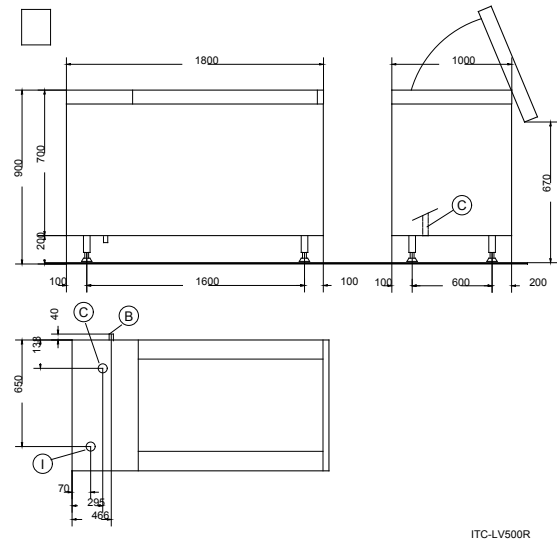
DITO**Electrolux**

Installation drawings

660034, 660030



660036, 660037



MODEL	LV300R 660034	LV301R 660030	LV500R 660036	LV501R 660037
B - Cold water inlet	1"	1"	1"	1"
C - Water drain	2"	2"	2"	2"
I - Electrical connection	400 V, 3N, 50	400 V, 3N, 50	400 V, 3N, 50	400 V, 3N, 50

The manufacturer reserves the right to modify and make improvements to the products without giving prior warning. Dimensions, illustrations, technical data, weights, etc. are given as an indication only.



www.dito-electrolux.com

Vegetable washer

AGAB010

