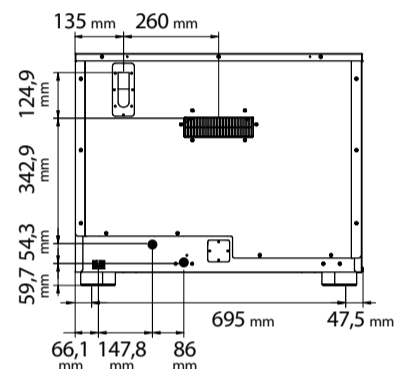
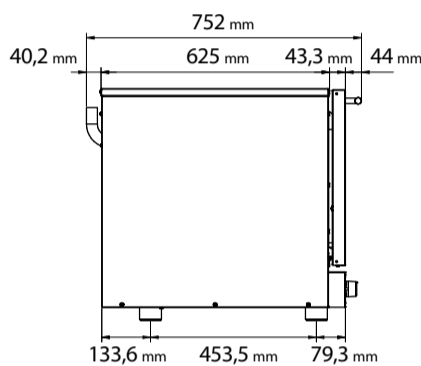
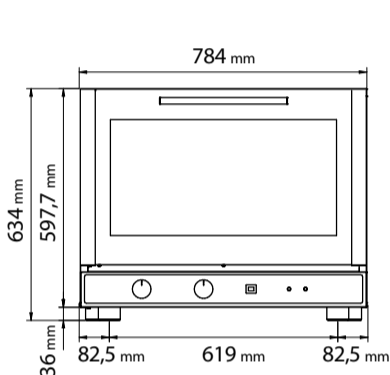


EKF 464



ELECTRIC CONVECTION OVEN WITH HUMIDIFICATION

A single-phase oven 4 trays 600x400 mm, a practical and functional instrument. The safe use of the product is guaranteed by IPX3 and CB certifications.



DIMENSIONAL FEATURES

Oven dimensions (WxDxH mm)	784	752	634
Oven weight (kg)	50,4		
Distance between rack rails (mm)	83		

ELECTRICAL FEATURES

Power supply (kW)	3,4
Frequency (Hz)	50/60
Voltage (Volt)	AC 220/230
N° of motors	2 Unidirectional
Boiler	/
Protection against water	IPX3

EQUIPMENT

Cardboard box dimensions with pallet (WxDxH mm)	805	830	800
Lateral supports	1 right + 1 left		
Cable	Single-Phase [3G 1,5] - L=1350 mm		

PLUS

Stainless steel cooking chamber
Door with inspectionable glass
Quick fastening of lateral supports
Embedded gasket
Stackable
Forced cooling system of inner parts
IPX 3
New design of cooking chamber
CB certification
New design of handle

FUNCTIONAL FEATURES

Power	Electricity
Capacity	N° 4 Trays/Grids (600x400 mm)
Type of cooking	Ventilated
Humidification	Indirect with button
Cooking chamber	AISI 430 Stainless steel
Temperature	50 ÷ 300°C
Temperature control	Thermostat
Control panel	Electromechanic - Lower side
N° of programs	/
Programmable cooking steps	/
Pre-heating temperature	/
Pre-heating function	/
Door	Tilt door Ventilated Inspectionable glass

OPTIONAL

Kit for overlapping ovens	Cod. EKKM4
Aluminium tray (600x400x20 mm)	Cod. KT9P/A
Perforated aluminium tray (600x400x20 mm)	Cod. KTF8P/A
5 Lanes perforated aluminium tray (600x400x20 mm)	Cod. KTF9P
Chromed grid (600x400 mm)	Cod. KG9P
5 Lanes AISI 304 grid (600x400 mm)	Cod. KG5CPX
Table	Cod. EKT 411 - Cod. EKTR 411 Cod. EKTS 411 - Cod. EKTRS 411 Cod. EKT 411 D
Proofer	Cod. EKL 864 Cod. EKL 864 R
Possibility of bivalent supports	Dual-support oven code EKF 416

