



www.rmgastro.com

INSTRUCTIONS FOR INSTALLATION AND USE
DIE GEBRAUCHS-, UND INSTALLATIONSANWEISUNG
NOTICE D'INSTALLATION ET D'EMPLOI



GAS GRIDDLE PLATES

FTH- 708 G / FTH- 704 G / FTH- 740 G / FTH- C-704 G
FTH- C-708 G / FTH- C-740 G / FTTHR- 708 G
FTTHR- 780 G / FTTHR- C-780 G / FTR- 704 G / FTR- 708 G
FTR- 740 G / FTR- 780 G / FTR- C-704 G / FTR- C-740 G
FTR- C-780 G / FTH- C-780 G / FTTHR- C-708 G
FTR- C-708 G / FTH- 780 G

CONTENT



DECLARATION OF A STANDARDS CONFORMITY	3
INSTRUCTION FOR USE	11
CLEANING AND MAINTENANCE	12



DIE NORMENÜBEREINSTIMMUNGSDEKLARATION	13
GEBRAUCHSANWEISUNG	20
REINIGUNG UND WARTUNG	21



DÉCLARATION DE CONFORMITÉ	22
MODE D'EMPLOI	29
ENTRETIEN	30

DECLARATION OF A STANDARDS CONFORMITY

The producer confirms that the devices agree with 2009/142/ES standards, rule nr. 22/1997 sb., nr. 258/2000 sb.. nr. 258/200 sb. and with relevant government orders. Instalation must be done with respect to valid standards. Attention, the producer refuses any responsibility in case of direct or indirect damages which are caused due to wrong instalation, incorrect intervention or modification, insufficient maintenance, incorrect use and also possibly caused by other reasons presented by items in sale conditions. This appliance is set only for skilled use and must be operated by qualified persons only. Parts set and secured by the producer or accredited person must not be rebuilt by user.

TECHNICAL DATA

Label with technical data is placed on the back side of the device. Study the electrical diagram of connection and all following information before instalation.

Type of product	Burner performance	Power (kW)	Dimmensions (mm)	Dimensions of plate (cm)
FTH- 704 G	1x 7Kw	7	400 x 758 x 378	320 x 550 x 12
FTH- 708 G	2x 7Kw	14	800 x 758 x 378	720 x 550 x 12
FTH- 740 G	1x 7Kw	7	400 x 758 x 957	320 x 550 x 12
FTH- 780 G	2x 7Kw	14	800 x 758 x 957	720 x 550 x 12
FTH- C-704 G	1x 7Kw	7	400 x 758 x 378	320 x 550 x 12
FTH- C-708 G	2x 7Kw	14	800 x 758 x 378	720 x 550 x 12
FTH- C-740 G	1x 7Kw	7	400 x 758 x 957	320 x 550 x 12
FTH- C-780 G	2x 7Kw	14	800 x 758 x 957	720 x 550 x 12
FTHR- 708 G	2x 7Kw	14	800 x 758 x 378	720 x 550 x 12
FTHR- 780 G	2x 7Kw	14	800 x 758 x 957	720 x 550 x 12
FTHR- C-708 G	2x 7Kw	14	800 x 758 x 378	720 x 550 x 12
FTHR- C-780 G	2x 7Kw	14	800 x 758 x 957	720 x 550 x 12
FTR- 704 G	1x 7Kw	7	400 x 758 x 378	320 x 550 x 12
FTR- 708 G	2x 7Kw	14	800 x 758 x 378	720 x 550 x 12
FTR- 740 G	1x 7Kw	7	400 x 758 x 957	320 x 550 x 12
FTR- 780 G	2x 7Kw	14	800 x 758 x 957	720 x 550 x 12
FTR- C-704 G	1x 7Kw	7	400 x 758 x 378	320 x 550 x 12
FTR- C-708 G	2x 7Kw	14	800 x 758 x 378	720 x 550 x 12
FTR- C-740 G	1x 7Kw	7	400 x 758 x 957	320 x 550 x 12
FTR- C-780 G	2x 7Kw	14	800 x 758 x 957	720 x 550 x 12

PACKING AND DEVICE CHECK

The device leaves our stocks properly packed with appropriate symbols and labels. There are also appropriate instructions for use. In case the packing shows bad handling or damage, it must be reclaimed at transporter immediately by writing and signing of a damage protocol.

Important notice:

- only for professional use
- this instructing guide must be read properly and carefully because it contains important information about safety elements, installation, use
- these recommendations refer to this product
- this product corresponds with valid standards
- this guide must be properly deposited for future use
- keep the children away from manipulation with the product
- when selling or moving the product to another place it is necessary to make yourself sure that the staff or the professional service has got acquainted with control and installation instructions from enclosed guide
- only authorised person can operate the product
- it can not be switched on without supervision
- we recommend to have the product checked by professional service min. once a year
- only original spare parts can be used for repairs
- the product can not be cleaned by the water jet or pressure shower
- by damage or break down disconnect all the feeders (water, gas, electricity) and call professional service
- producer refuses any responsibility in case of damages caused by wrong installation, by disobeying of above mentioned recommendations or by other use etc.

PLACEMENT

The device must be installed in well ventilated room what is necessary for regulation of the function of the device (technician must go by valid standard (EN....)). If the device is situated close to the wall or if it is in contact with the furniture walls, these walls must resist the temperatures ranging to 90°C. Installation, setting, putting into operation must be done by qualified person who is competent for this and according to the valid standards.

Wrap up the device and check whether it was not damaged during transport. Settle the device on horizontal surface (max imbalance 2°). Settle the device under the fumehood to eliminate water steam and bad smell. The device can be installed separately or in a set with devices of our production. Min. distance 10 cm from other subjects must be kept. It is also necessary to prevent our product from contact with combustible materials. In this case you must make corresponding changes to secure heat isolation of combustible parts. Safety measures from the standpoint of the fire protection according to EN 061008čl. 21:

TECHNICAL INSTRUCTIONS FOR INSTALATION AND REGULATION

Important:

The manufacturer does not provide warranty for defects caused by improper use, failure to instructions contained in the attached instructions for use and mistreatment of the appliances.

Installation, adjustment and repair of appliances for kitchens, as well as their removal because of possible damage to the gas can be carried out only under a maintenance contract, this contract may be signed with an authorized dealer, and must be complied with regulations and technical standards and regulations regarding the installation, power supply, gas connection and health & safety system.

These instructions are intended for the qualified technician who must perform the installation, put it into operation and test the appliance.

Any activity as settings, placement, rebalancing etc, must be made only when is device disconnected from electricity. If it is necessary to have the device connected to the electricity you must keep the highest attention to avoid any injuries.

DEVICE INSTALATION

Instalation, setting, rebuilding for another gas type, putting into operation must be done by qualifi ed person whois competent for this and according to the valid standards. The device can be instalated in good ventilated room. When it is possible place the device under the fumehood to suck off the products of combustion. Air needy to the burning is $2m^3/h/kW$ ot the performance of the instaled device. The device can be instalated separately or in a set with devices of our production. Min. distance 10 cm from other subjects must be kept.It is also necessary to prevent our product from contact with combustible materials. In this case you must make corresponding changes to secure heat izolation of combustible parts (for example:place between the device and combustible material azbestos plate).

SAFETY MEASURES FROM THE STANDPOINT OF THE FIRE PROTECTION ACCORDING TO EN 061008 ČL. 21

- only adults can operate the device
- device must be safely used in common surroundings according to EN 332000-4-462; EN 332000-4-42. You must switch the gas device off under the circumstances leading: to the danger of the temporary rise of the combustion gas or steam or during works when there is a big possibility of rise of the temporary fire danger or explosion (for example: to stick linoleum, PVC etc.).
- before you start to instal the device you must get the licence for connection to the gas feeder from the gasworks
- device must be placed so as to stand or hang on the noncombustible surface which is on each side 10 cm larger than the device. No subjects from combustible materials can be placed directly on the device or in distance which is shorter than safety distance (the shortest distance is 50 cm in the direction of the heat emission and 10 cm in other directions).- safety distances from various materials of different degree of combustion and information about the degree of comb. of common building materials - see chart:

Chart:

Combustion degree of building materials classified according to the combustion degree of materials and products (EN 730823)

A noncombustible	granit, sandstone, concretes,bricks, ceramic wallfacing tiles, plaster
B uneasily combustible	akumine, heraklite, lihnos, itavere
C1 hardly combustible	leafy wood, plywood, sirkoklit, rare paper formica
C2 middle combustible	fibreboards, solodure, cork boards, rubber,floor-coverings
C3 easily combustible	wood-fibreboards, polystyrene,polyurethane, PVC

Devices must be instalated in a safe way. When instaling you must respect corresponding project, safety and hygienic orders according to:

- EN 061008 fire protection of local devices and sources of heat
- EN 332000 (33 2000-4-482; 33 2000-4-42) surrounding for electric devices ČSN EN 1775 Gas supplying
- Gas fi ttings in the buildings - the highest operational pressure < 5 bar - operation demands
- § 10 law nr. 185/2001 Sb. about waste

PIPE FOR GAS CONNECTION

It must first determine if the appliance is made for the same type of gas that will be used and thus conforms to the indications on the label the type of gas to be used.

The conversion of gas pan to another type of gas you need to check if it corresponds to the type of gas bearing, which is recommended in this guide.

Connecting the appliance to the gas distribution must be towable to a steel or copper tube complying with applicable national requirements. This must be controlled on regular basis and changed if needed. Every appliance must be equipped with shut-off valve and quick shut-off valve. Quick shut-off valve must be freely accessible and within reach of the device. After installation, is necessary to check whether there is a gas leak. To find a gas leak you can use soapy water or spray for gas leak detection.

Do not use corrosive substances!! All our appliances are carefully controlled. Gas type, pressure and of the categories listed named on the technical information plate.

Liquid gas connection:

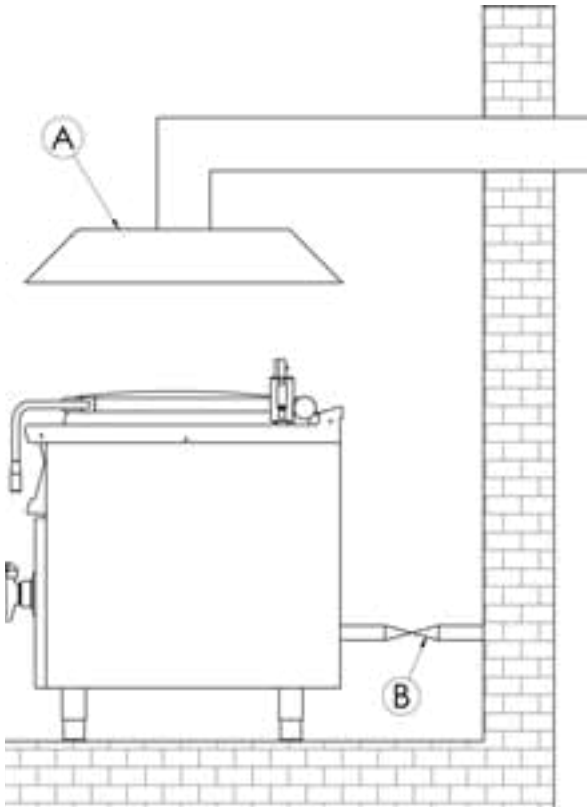
Pressure for liquid gas connection must be 28 or 30 mbar for propane/butane and 37 mbar for propane. It is necessary to check the technical label ,gauge the pressure and check the parameters of the nozzle is installed with the required parameters of the nozzle according to the manufacturer's. If the pressure is lower than 25mbar or higher than 37 mbar, THE APPLIANCE SHALL NOT TO BE CONNECTED.

Gas Connection:

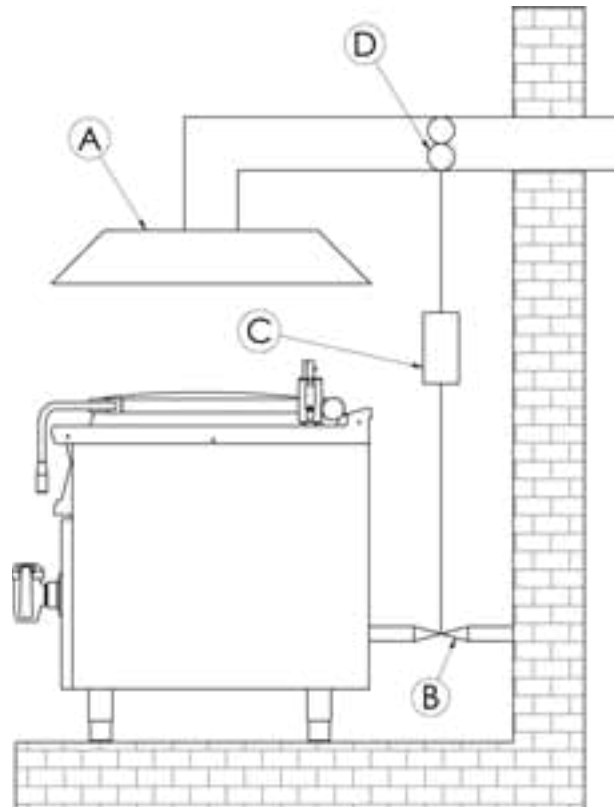
Pressure for methane connection must be 18 or 20 mbar. It is necessary to check the technical label ,gauge the pressure and check the parameters of the nozzle is installed with the required parameters of the nozzle according to the manufacturer's. If the gas pressure is lower than 15mbar or higher than 22,5 mbar, THE APPLIANCE SHALL NOT TO BE CONNECTED.

CHIMNEY DESIGN FOR AN APPLIANCE –TYPE A

NATURAL EXTRACTION



FORCED EXTRACTION



Outlet hood with natural extraction (A). Flue gas provides a natural chimney draft.

Outlet hood without natural extraction. Flue gas is secured by a fan (D) (forced extraction). In this case, it is necessary to secure the connection with a gas feeder (B) to turn off the gas supply in case of failure.

CHECK THE GAS TYPE THE DEVICE IS ADJUSTED FOR

Our appliances are certified and regulated the natural gas (see technical plate). Conversion or adaptation to a different type of gas must be performed by authorized personnel. Nozzles for different types of gas are in a bag provided with the gas cooker and are marked in hundredths of mm (table of technical data pipes).

Nozzle replacement and pressure adjustment

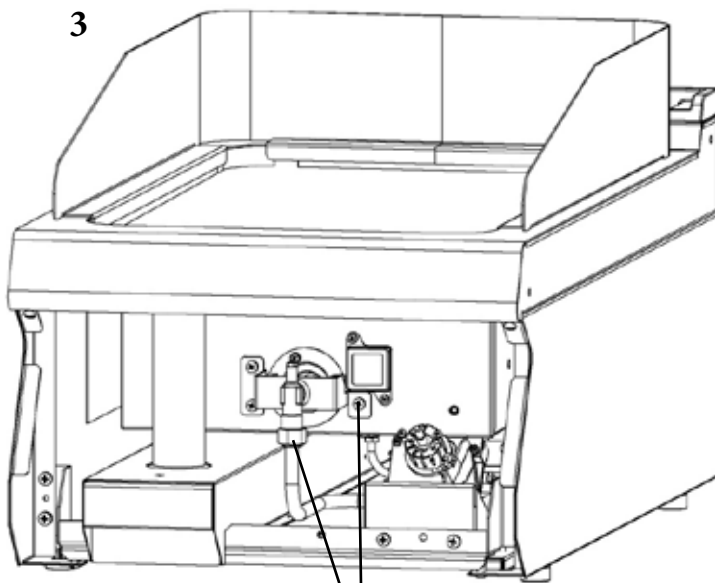
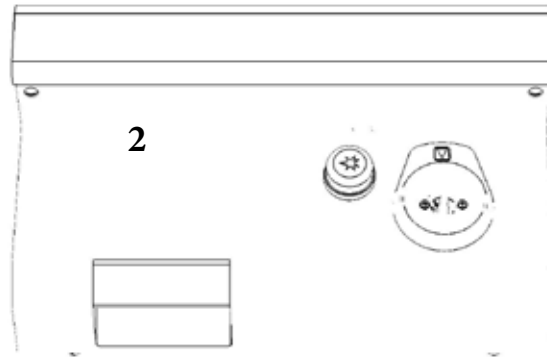
Proceed as follows when replacing the main burner nozzle:

- 1) remove the control buttons from the front panel (fig.1, note 1)
- 2) disassemble the front panel (fig.1, note 2)
- 3) According to picture (fig. 2) unscrew the nozzle from the main burner and replace with nozzles according to table „TECHNICAL DATA“
- 4) Adjust the air intake for the relevant gas according to table „TECHNICAL DATA“

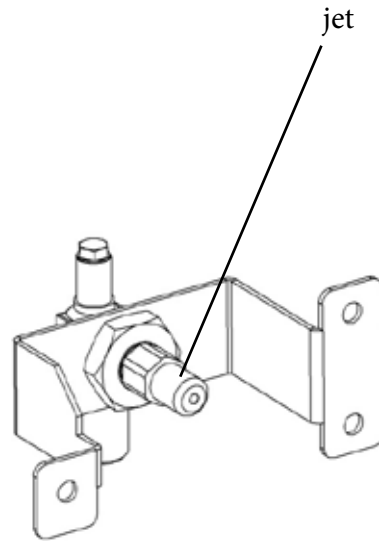
Adjust the pilot burner by loosening the safety nut (pct.3, note 1) with a spanner, then unscrew the pilot burner nozzle and replace with a nozzle for the relevant gas according to the table. Tighten the nozzle cover with a spanner.

Important:

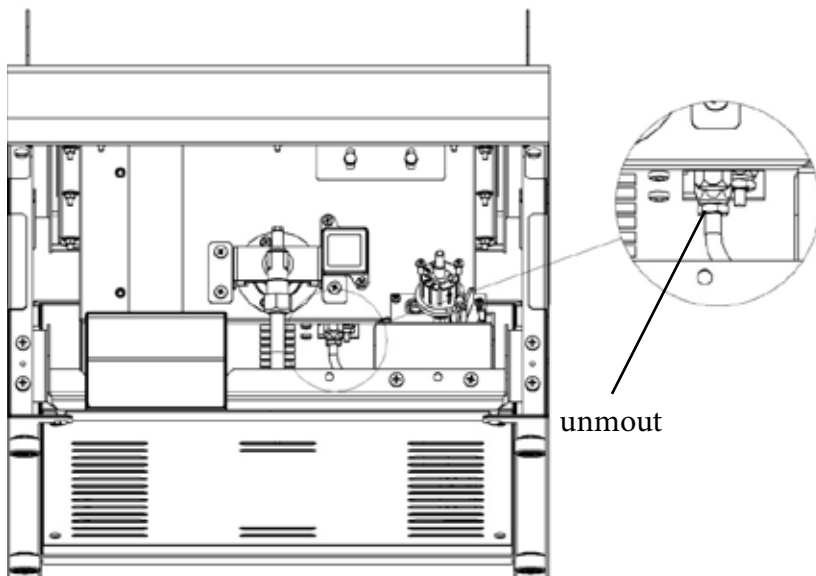
After what was done adjusting the appliance to another type of gas, it is necessary to change the gas indicated on the technical plate located in a visible location on the back of the device.



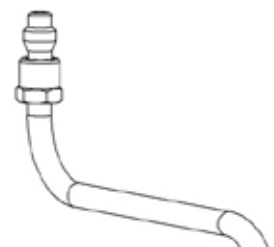
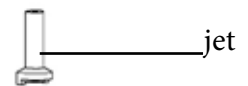
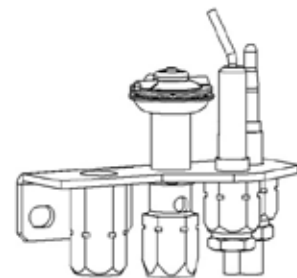
unmout



4



unmout



INSTRUCTION FOR USE

Attention!

When the hot-plate smokes after the first switching it on it is necessary to leave the device on at least for an hour until the smoke disappears.

• Ignition of the main burner and regulation of the temperature: pictures A,B

Turn the regulation knob (2) into position „ignition of the main burner“ and then press it down and hold it. Press down the piezo knob of the ignitor several times (1) until the main burner burns. The flame is visible through the slot in the front panel. After ignition of the burner hold the knob (2) pressed several seconds till the thermofuse gets hot. Then release the button. If the flame goes out repeat the whole process once more.

• How to switch the whole device off: picture A,B

Turn the knob (2) into position“0“.

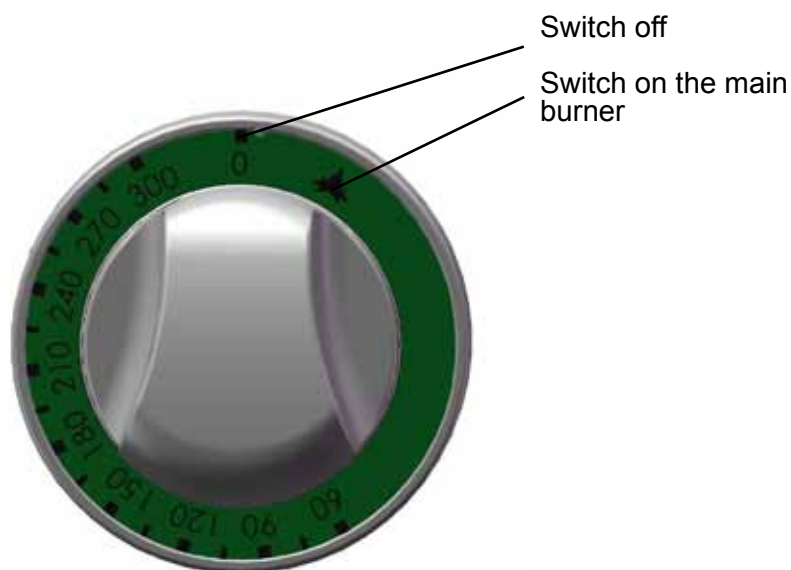
Bowl for superfluous oil

Check this bowl regularly and empty it in time. You must clean the bowl after each switching the device off. ATTENTION! THIS BOWL CAN BE HOT WHEN THE DEVICE IS ON. EMPTY IT WHEN THE DEVICE IS COLD.



① Piezzo knob

② Regulation knob



Switch off

Switch on the main burner

CLEANING AND MAINTENANCE

It is recommended to have the device checked by the professional service min. once a year. All interventions must be done by qualified person who is competent for this.

ATTENTION!

The device cannot be cleaned by direct or pressure water. Clean it daily. Daily maintenance keeps longer useful life and efficiency of the device. Before cleaning make sure to have disconnected the device from electricity. Always switch off the main feeder to the device. Stain-less parts wash with moist cleaning cloth and detergent without groove parts than wash it with clean water and dry it by the cloth. Do not use abrasive and corrosive detergents.

WHAT TO DO IN CASE OF BREAK-DOWN

Switch off the electric feeder and call seller's professional service.

INDICATION:

Guarentee does not cover all consumption parts succumable to common wear (rubber seals, bulbs, glas and plastic parts etc.). The guarantee does not refer to the devices which were not instaled in correspondance with instructions - by qualified worker, in confirmity with standards and when somebody handled incompetently the device (interventions into inner equipment) or the device was operated by nonqualified staff or at variance with instructions for use. Guarantee does not also cover the damages caused due to influence of nature or other outer intervention.

INDICATION:

Guarentee does not cover all consumption parts succumable to common wear (rubber seals, bulbs, glas and plastic parts etc.). The guarantee does not refer to the devices which were not instaled in correspondance with instructions - by qualified worker, in confirmity with standards and when somebody handled incompetently the device (interventions into inner equipment) or the device was operated by nonqualified staff or at variance with instructions for use. Guarantee does not also cover the damages caused due to influence of nature or other outer intervention.

DIE NORMENÜBEREINSTIMMUNGSDOKUMENTATION

Der Produzent erklärt, daß die Geräte in einer Übereinstimmung mit den Vorschriften der 2009/142/ES, dem Gesetz Nr. 22/1997 sb., nr. 258/2000 sb., nr. 38/2001 sb. der Sammlung und zugehörigen Regierungsverordnungen stehen. Die Installation muss mit der Absicht auf geltende Normen durchgeführt werden. Vorsicht, im Falle einer direkten oder indirekten Beschädigung, die sich auf falsche Installation, unrichtigen Eingriff oder Anpassungen, ungenügende Instandhaltung, unrichtige Verwendung beziehen, und welche eventuell durch andere Ursachen, als in Punkten der Verkaufsbedingungen angeführt ist, so verzichtet der Importeur auf jegliche Verantwortung. Dieses Gerät ist nur für fachliche Verwendung bestimmt und muß durch qualifizierte Person bedient werden. Teile, die nach der Einstellung durch den Hersteller oder durch befugte Person gesichert wurden, dürfen vom Benutzer keineswegs umgestellt werden.

DIE TECHNISCHEN DATEN

Das Schild mit technischen Angaben ist auf der Rückseite des Gerätes angebracht. Studieren sie vor der Installation das elektrische Schema der Einschließung und alle folgende Informationen durch.

Modell	Burner	ANSCHLUSSWERT (kW)	PLATTEABMESSUNG (mm)	ABMESSUNG (cm)
FTH- 704 G	1x 7Kw	7	400 x 758 x 378	320 x 550 x 12
FTH- 708 G	2x 7Kw	14	800 x 758 x 378	720 x 550 x 12
FTH- 740 G	1x 7Kw	7	400 x 758 x 957	320 x 550 x 12
FTH- 780 G	2x 7Kw	14	800 x 758 x 957	720 x 550 x 12
FTH- C-704 G	1x 7Kw	7	400 x 758 x 378	320 x 550 x 12
FTH- C-708 G	2x 7Kw	14	800 x 758 x 378	720 x 550 x 12
FTH- C-740 G	1x 7Kw	7	400 x 758 x 957	320 x 550 x 12
FTH- C-780 G	2x 7Kw	14	800 x 758 x 957	720 x 550 x 12
FTHR- 708 G	2x 7Kw	14	800 x 758 x 378	720 x 550 x 12
FTHR- 780 G	2x 7Kw	14	800 x 758 x 957	720 x 550 x 12
FTHR- C-708 G	2x 7Kw	14	800 x 758 x 378	720 x 550 x 12
FTHR- C-780 G	2x 7Kw	14	800 x 758 x 957	720 x 550 x 12
FTR- 704 G	1x 7Kw	7	400 x 758 x 378	320 x 550 x 12
FTR- 708 G	2x 7Kw	14	800 x 758 x 378	720 x 550 x 12
FTR- 740 G	1x 7Kw	7	400 x 758 x 957	320 x 550 x 12
FTR- 780 G	2x 7Kw	14	800 x 758 x 957	720 x 550 x 12
FTR- C-704 G	1x 7Kw	7	400 x 758 x 378	320 x 550 x 12
FTR- C-708 G	2x 7Kw	14	800 x 758 x 378	720 x 550 x 12
FTR- C-740 G	1x 7Kw	7	400 x 758 x 957	320 x 550 x 12
FTR- C-780 G	2x 7Kw	14	800 x 758 x 957	720 x 550 x 12

DIE VERPACKUNGS-, UND VORRICHTUNGSKONTROLLE

Die Vorrichtung verlässt unsere Lager in ordentlicher Verpackung, auf deren die entsprechenden Symbole und Bezeichnungen stehen. In der Verpackung befindet sich entsprechende Bedienungsanweisung. Falls die Verpackung eine schlechte Behandlung oder Anzeichen der Beschädigungen vorweist, muß dieses sofort beim Transporteur reklamiert werden und zwar durch Unterzeichnung eines Schadensprotokolles.

Wichtige Hinweise

- Nur für professionellen Verbrauch geeignet
- Diese Bedienungsanleitung muss ordentlich und bedächtig gelesen werden, weil sie wichtige Informationen über Sicherheitsmerkmale, Installation und Anwendung beinhaltet
- Diese Empfehlungen beziehen auf diesen Produkt
- Der Produkt entspricht geltenden Normen
- Diese Anleitung muß ordentlich für die zukünftige Verwendung hinterlegt werden
- Hindern Sie den Kinder an Vorrichtungsm Manipulation
- Beim Verkauf oder Verlegung ist es notwendig sich zu überzeugen, daß die Bedienstperson oder Fachservis sich mit der Beherrschung und Installationsanweisung in beiliegender Anleitung, anvertraut gemacht haben.
- Das Produkt darf nur eingeschulte Bedienung bedienen
- Das Produkt darf nicht ohne Aufsicht ins Betrieb gesetzt sein
- Es ist empfohlen, minimal einmal pro Jahr eine Fachkontrolle durchführen zu lassen
- Bei eventueller Reparatur der Teilenumtauschungen müssen ausschließlich Originalteile angewendet werden
- Das Produkt darf nicht durch einen Wasserstrahl oder Druckbrause gereinigt werden
- Schalten Sie alle Leitungen (Wasser, Elektrizität, Gas) bei einer Störung oder beim schlechten Lauf aus und rufen Sie autorisierten Service an
- Der Hersteller verzichtet auf jegliche Verantwortung bei Störungen, die durch fehlerhafte Installation, Nichteinhaltung o.a. Empfehlungen, andere Verwendung u.ä, verursacht wurden

DIE PLATZIERUNG

Es ist unbedingt notwendig, zu der Regulation der Gerätetätigkeit, daß das Milieu - der Küche -, wo das Gerät installiert wird, sehr gut belüftbar ist (im Hinblick darauf: sei der Techniker sich mit geltenden Normen (EN) richtet). Wenn die Einrichtung so plaziert wird, daß sie im Mobiliarwandkontakt stehen wird, so müssen diese einer Temperatur von 90°C widerstehen. Die Installation, Herrichtung, Inbetriebnahme müssen durch qualifizierte Person, die zu solchen Vorkehrungen eine Befugnis hat und dies laut geltenden Normen nach, durchgeführt werden.

Packen Sie das Gerät aus und kontrollieren Sie , ob sich das Gerät während des Transportes nicht beschädigt hat. Platzieren Sie das Gerät auf eine waagrechte Fläche (maximale Unebenheit bis 2°). Stellen Sie das Gerät unter den Haubenabzug, damit Sie die Wasserdämpfe und den Geruch eliminieren. Das Gerät kann selbständig oder in einer Reihe mit Geräten unserer Herrstellung installiert werden. Es ist notwendig die minimale Entfernung von 10 cm zu anderen Gegenständen einzuhalten, so dass die Wärmeisollierung der brennbaren Teilen gewährleistet wird.

Das Gerät kann selbständig oder in einer Reihe mit Geräten unserer Herrstellung installiert werden. Es ist notwendig die minimale Entfernung von 10 cm zu anderen Gegenständen einzuhalten, so dass die Wärmeisollierung der brennbaren Teilen gewährleistet wird.

TECHNISCHE HINWEISE ZUR INSTALLATION UND REGELUNG

Wichtig:

Zur Benützung AUSSCHLIEßLICH nur für spezialisierte Techniker
Instruktionen, die folgen, wenden sich an den Techniker, der für die Installation qualifiziert ist, damit er alle Operationen mit der korrektesten Weise und laut der gültigen Normen durchführt.

Wichtig

Jeweils irgendeine Tätigkeit, die mit der Regulation verbunden ist u.ä, muß nur mit der aus dem Netz ausgezogenen und abgeschalteten Einrichtung vollgezogen sein.

Solange das Gerät unter der Spannung notwendig zu halten ist, eine höchste Vorsicht zu beachten vorliegt.

DIE SICHERHEITSVORRICHTUNGEN AUS DER SICHT DES FEUERSCHUTZES LAUT EN. 061008 ČL. 21

Die Einrichtungsbedienung dürfen nur Erwachsene ausführen

- Das Gerät darf sicher in gewöhnlicher Umgebung laut EN 332000-4-482; EN 332000-4-42 verwendet werden.
- Es ist notwendig das Gerät so platzieren, daß es auf einer unbrennbaren Grundlage steht oder hängt.
- Es dürfen, auf und in eine Entfernung, die kleineremase als sicher vom Gerät bezeichnet wird, keine Gegenstände aus brennbaren Materilien (die kleinste Entfernung vom Brennbarem ist 10 cm) aufgestellt werden.
- Die sicheren Entfernungen von Massen der einzelnen Brenngra

Tabelle:

Baumassefeuerbrenngrad ins Brenngrad (EN) der Massen und Produkte eingegliedert

A	Unbrennbar	Granit, Sandstein, beton, Ziegel, Keramikbekleidung, Putz
B	nicht einfach brennbar	Akumin, Heraklit, Lihnos, Itaver
C1	schwer brennbar	Holz, Laubbaum, Furnier Sirkoklit, Festpapier, Umakart
C2	mittel brennbar	Holzspanplatten, Solodur, Korkplatten, Hartgummi, Bodenbeläge
C3	leicht brennbar	Holzfaserverplatten, Polystyren, Polyureten, PVC

Die Bedarfsartikel müssen sicher installiert werden und sind mit regulierenbaren Beinchen - zur Ausgleichen der Höhe und der Unebenheiten eingestattet.

Die Geräte müssen in einer sicheren Weise installiert werden. Bei der Installation müssen weiter betreffende Projekt-, Sicherheits-, und Hygienevorschriften respektiert werden.

- EN 06 1008 Feuerschutz der örtlichen Geräte und der Wärmquellen
 - EN 33 2000 (33 2000-4-482; 33 2000-4-42) Umgebung für elektrische Geräte
- Gasversorgung -Gasleitunge in Gebäuden - Höchste Verkehrsdruck ≤ 5 BarVerkehrsansprüche,
- § 10 des Gesetzes Nr.185/2001 Sb., der Abfälle betrifft.

ROHR FÜR GASANSCHLÜSSEN

Es muss zuerst feststellen, ob das Gerät für die gleiche Art von Gas, das verwendet werden soll, wird und entspricht damit den auf dem Etikett die Art des Gases verwendet werden.

Die Umwandlung von Gas Pfanne auf eine andere Gasart müssen Sie überprüfen, ob es auf die Art der Gas-Lager, die in diesem Handbuch empfohlen wird, entspricht.

Anschließen des Gerätes an die Gasversorgung muss Anhängelast auf einer Stahl-oder Kupferrohr Beachtung der geltenden nationalen Anforderungen. Dies muss regelmäßig kontrolliert werden und bei Bedarf geändert. Jedes Gerät muss mit Absperrventil und schnelle Absperrventil ausgestattet sein. Schnell-Absperrventil muss frei zugänglich sein und innerhalb der Reichweite des Gerätes. Nach der Installation ist zu prüfen, ob es ein Gas austritt. Um ein Gasleck Sie Seifenwasser oder Spray zur Lecksuche können zu finden.

Verwenden Sie keine ätzenden Stoffen! Alle unsere Geräte werden sorgfältig kontrolliert. Gasart, Druck und der Kategorien auf der technischen Informationen Platte benannt.

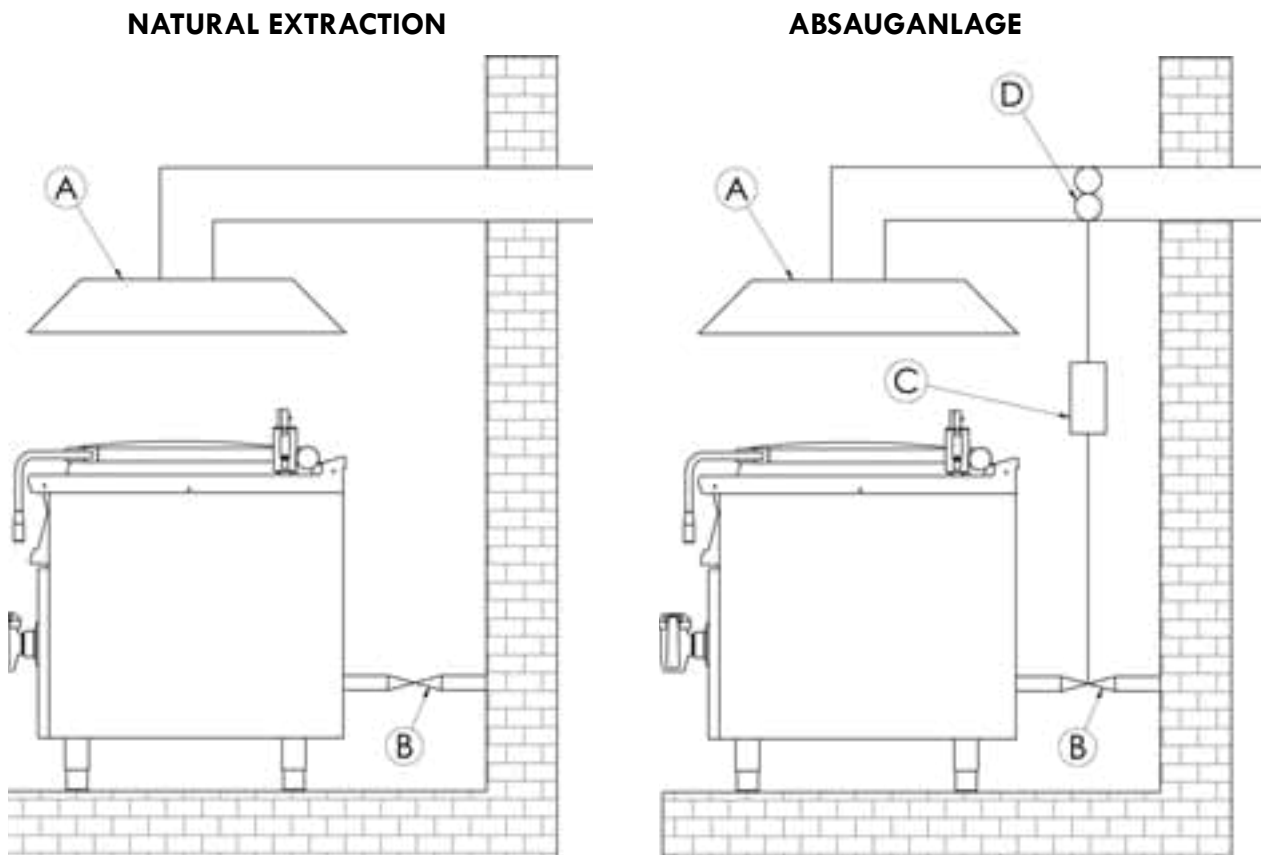
Flüssiggas-Anschluss:

Der Druck für Flüssiggas-Verbindung muss 28 oder 30 mbar für Propan / Butan und 37 mbar für Propan sein. Es ist notwendig, um die technische Etikett überprüfen, messen den Druck und Kontrolle der Parameter der Düse wird mit den erforderlichen Parametern der Düse gemäß der Herstellerangaben installiert. Ist der Druck niedriger als 25mbar oder höher als 37 mbar, darf das Gerät nicht ANZUSCHLIESSEN.

Gas-Anschluss:

Der Druck für die Methan-Anschluss muss 18 oder 20 mbar betragen. Es ist notwendig, um die technische Etikett überprüfen, messen den Druck und Kontrolle der Parameter der Düse wird mit den erforderlichen Parametern der Düse gemäß der Herstellerangaben installiert. Wenn der Gasdruck niedriger ist als 15 mbar oder höher als 22,5 mbar, darf das Gerät nicht ANZUSCHLIESSEN.

KAMIN-DESIGN FÜR EIN GERÄT VOM TYP A



Outlet Kapuze mit natürlichen Extraktion (A). Rauchgas sorgt für einen natürlichen Kaminzug.

Outlet Haube ohne natürliche Extraktion. Rauchgas wird durch einen Ventilator (D) (erzwungene Extraktion) gesichert. In diesem Fall ist es erforderlich, die Verbindung mit einer Gaszuführung (B), um die Gaszufuhr bei Ausfall zu sichern.

PRÜFEN der Gasart Das Gerät ist für EINGESTELLT

Unsere Geräte sind zertifiziert und reguliert das Erdgas (siehe technische Platte). Umwandlung oder Anpassung an eine andere Gasart müssen von autorisiertem Personal durchgeführt werden. Düsen für verschiedene Arten von Gas sind in einer Tüte mit dem Gasherd gestellt und sind im hundertstel mm (Tabelle der technischen Daten Rohre) markiert.

Düsenwechsel und Druckeinstellung

Beim Austausch der Düse des Hauptbrenners ist wie folgt zu verfahren:

- 1) Nehmen Sie den Bedienknopf vom vorderen Paneel ab. (Abb.1, Anm.1)
- 2) Demontieren Sie das vordere Paneel. (Abb.1, Anm.2)
- 3) Zur Erleichterung des Zugangs empfehlen wir, auch das hintere Paneel zu demontieren (sofern möglich). (Abb.1, Anm.3)
- 4) Gemäß der Abb. 2 schrauben wir die Düse aus dem Hauptbrenner heraus und ersetzen sie durch die Düsen gemäß der Tabelle „DIE TECHNISCHE DATEN“.
- 5) Wir stellen die Luftzufuhr für das jeweilige Gas gemäß der Tabelle „DIE TECHNISCHE DATEN“ ein.

Den Pilotbrenner stellen wir ein, indem wir die Sicherungsmutter (Abb.3, Anm. 1) mit dem Schlüssel lockern, anschließend die Düse des Pilotbrenners (Abb.3, Anm. 2,3) mit der Feder xxx herausschrauben und durch die Düse für das jeweilige Gas gemäß der Tabelle ersetzen. Wir ziehen die Kappe der Düse mit dem Schlüssel fest und stellen das „Spar“-Regime ein - siehe Text unten.

wichtig:

Nach dem, was getan Einstellen des Gerätes an andere Art von Gas, ist es notwendig, das Gas auf dem technischen Platte an einer sichtbaren Stelle an der Rückseite des Geräts angegeben ändern.

Anpassen der Flamme bei reduzierter Leistung „SPAREN“

Flamme bei reduzierter Leistung „Speichern“ kann mit der Schraube in dem Ventilkörper (Anm. 1, Abb. 5). Platziert gesetzt werden positioniert neben dem Ventilschaft

Für die Einstellung wie folgt vorgehen:

- Entfernen Sie den Drehknopf (Anm. 1, Abb. 4). Ziehen Sie in Richtung
- Stellen Sie die Flamme durch das Loch mit Schraubenzieher

PRÜFEN der Gasart Das Gerät ist für EINGESTELLT

Unsere Geräte sind zertifiziert und reguliert das Erdgas (siehe technische Platte). Umwandlung oder Anpassung an eine andere Gasart müssen von autorisiertem Personal durchgeführt werden. Düsen für verschiedene Arten von Gas sind in einer Tüte mit dem Gasherd gestellt und sind im hundertstel mm (Tabelle der technischen Daten Rohre) markiert.

Düsenwechsel und Druckeinstellung

Beim Austausch der Düse des Hauptbrenners ist wie folgt zu verfahren:

- 1) Nehmen Sie den Bedienknopf vom vorderen Paneel ab. (Abb.1, Anm.1)
- 2) Demontieren Sie das vordere Paneel. (Abb.1, Anm.2)
- 3) Gemäß der Abb. 2 schrauben wir die Düse aus dem Hauptbrenner heraus und ersetzen sie durch die Düsen gemäß der Tabelle „DIE TECHNISCHE DATEN“.
- 4) Wir stellen die Luftzufuhr für das jeweilige Gas gemäß der Tabelle „DIE TECHNISCHE DATEN“ ein.

Den Pilotbrenner stellen wir ein, indem wir die Sicherungsmutter (Abb.3, Anm. 1) mit dem Schlüssel lockern, anschließend die Düse des Pilotbrenners (Abb.3, Anm. 2,3) mit der Feder xxx und durch die Düse für das jeweilige Gas gemäß der Tabelle ersetzen. Wir ziehen die Kappe der Düse mit dem Schlüssel fest.

wichtig:

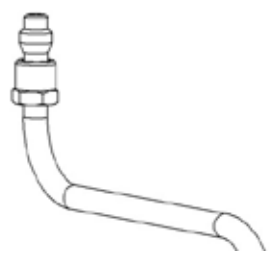
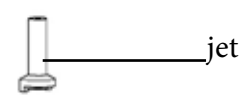
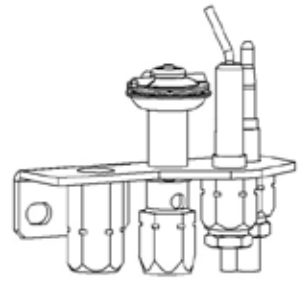
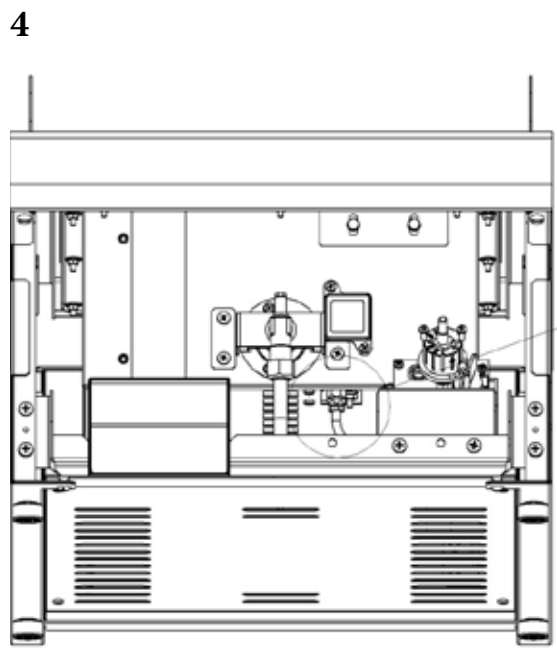
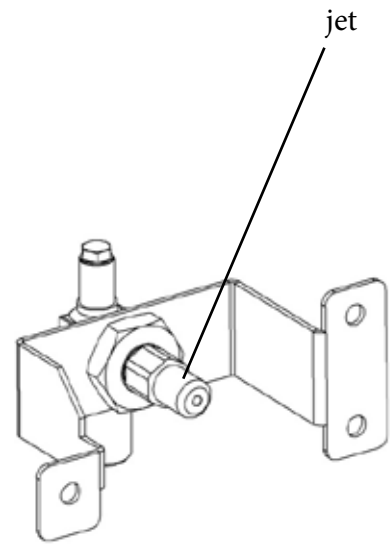
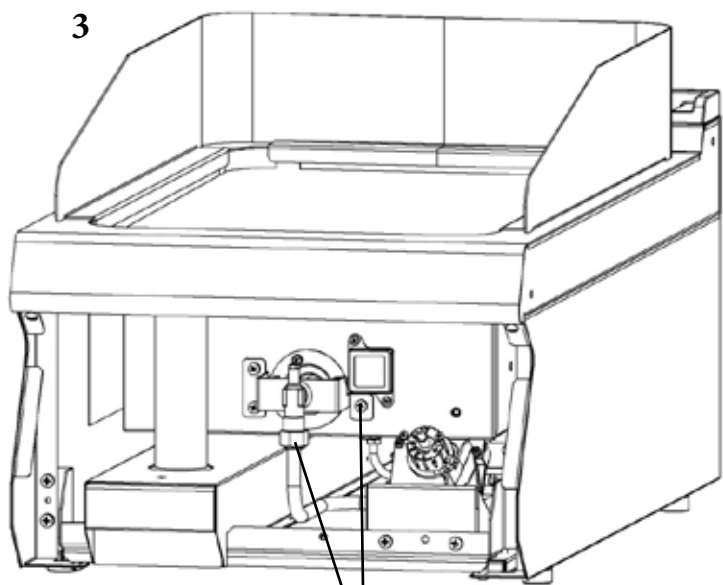
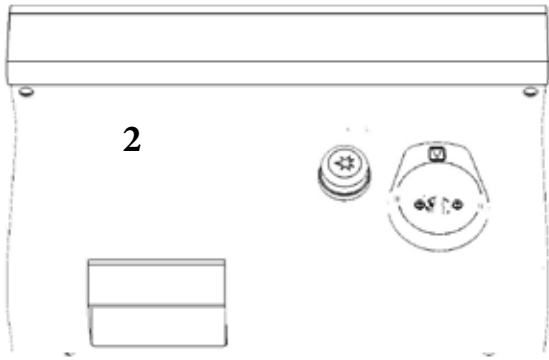
Nach dem, was getan Einstellen des Gerätes an andere Art von Gas, ist es notwendig, das Gas auf dem technischen Platte an einer sichtbaren Stelle an der Rückseite des Geräts angegeben ändern.

Anpassen der Flamme bei reduzierter Leistung „SPAREN“

Flamme bei reduzierter Leistung „Speichern“ kann mit der Schraube in dem Ventilkörper (Anm. 1, Abb. 5). Platziert gesetzt werden positioniert neben dem Ventilschaft

Für die Einstellung wie folgt vorgehen:

- Entfernen Sie den Drehknopf (Anm. 1, Abb. 4). Ziehen Sie in Richtung
- Stellen Sie die Flamme durch das Loch mit Schraubenzieher



GEBRAUCHSANWEISUNG

Achtung! Wenn bei erster Einschaltung der Fry-Top raucht, ist es wichtig der Fry-Top leer im Betrieb lassen. Und das mindestens eine Stunde-bis über Geruch nicht verschwindet.

Anzündung des Hauptbrenners und Thermoregulation: Bilder A,B

Geben Sie der Regulationsknopf (2) in die Position „Anzündung des Hauptbrenners“ und dann drücken Sie den Knopf und halten Sie ihn. Drücken Sie mehrmals Knopf des Piezzoanzünder (1) bis sich der Hauptbrenner anzündet. Die Flamme können Sie durch Lücke im Vorntafel sehen. Nach Anzündung des Brenners halten Sie den Knopf Nr (2) einige Sekunden gedrückt bis Thermosicherung warm wird. Danach lockern Sie den Knopf. Wenn die Flamme erlöscht, wiederholen Sie ganze Verfahren.

• Ausschaltung des Gerätes

Drehen Sie den Knopf in Position „0“.



Schublade fürs Fettsammeln

Schublade muss man regelmässig kontrollieren und rechtzeitig leer machen. Schublade müssen Sie nach jeder Ausschaltung des Gerätes reinigen.

ACHTUNG! KURZ NACH AUSSCHALTUNG DES GERÄTES KANN SCHUBLADE NOCH HEISS SEIEN. MACHEN SIE DIE SCHUBLADE LEER WENN DAS GERÄT SCHON KALT IST.

BEMERKUNGE UND EMPFEHLUNGE

Die Geräte, die Kochfläche in zwei Teilen eingeteilt haben, kann man selbstständig regulieren. Es ist auch möglich nur eine Hälfte benützen. Benützen Sie das Gerät nur unter Aufsicht.

DIE REINIGUNG UND INSTANDSHALTUNG

ACHTUNG! Die Einrichtung darf nicht mit Direkt-, oder Druckwasserstrahl gereinigt werden. Reinigen Sie das Gerät täglich. Die Lebensdauer und Gerätewirkung wird durch die tägliche Wartung gewährleistet. Überzeugen Sie sich, vorm Reinigungsanfang, dass Sie die Einrichtung vom Elektrostrom abgeschaltet haben. Schalten Sie immer die Gerätehauptzufuhr ab. Waschen Sie die Edelstahlteile mit feuchtem Waschlappen, der im Waschpulver getauft ist und keine grobe Teilchen aufweist. Wischen Sie alles ins Trockene ab. Verwenden Sie keine abrasive- oder korrosionsreiche Reinigungsmitteln.

WIE MAN IM FALLE EINER STÖRUNG VORANGEHEN SOLL

Schalten sie die elektrische Stromleitung ab und rufen die Serviceorganisation des Verkäufers an.

HINWEIS

Die Garantie bezieht sich nicht auf alle Verbrauchsteile, die der geläufiger Abnutzung unterstehen (gesamte Gummidichtungen, Glühlampen, alle glasernde und plastiche Teile, usw.). Die Garantie bezieht sich nicht weiterhin auf Einrichtungen, die durch befugte Person laut Anweisung und entsprechender Normen nicht installiert worden sind und wenn mit dem Gerät unfachmännisch manipuliert wurde (Eingriffe ins Innere) und auf Beschädigungen durch Natureinflüsse oder Ausseneingriffe.

DÉCLARATION DE CONFORMITÉ

Le fabricant certifie la conformité des appareils aux normes 2009/142/ES à la loi n° 22/1997 sb., 258/2000 sb., 258/2000 sb. et aux décrets applicables. L'installation doit être effectuée dans le respect des normes en vigueur. Attention: le fabricant décline toute responsabilité en cas de dommages, directs ou indirects, causés par une mauvaise installation, par une utilisation, des interventions ou des modifications impropres, par un entretien insuffisant, ainsi qu'en cas de dommages dérivant des causes mentionnées dans les conditions de vente. L'appareil objet de la présente notice est prévu pour un usage professionnel, aussi son utilisation doit-elle être confiée à un personnel possédant les compétences nécessaires à cet effet. L'utilisateur ne doit procéder à aucune intervention ni à aucune modification sur les parties réglées et protégées par le fabricant ou autre personnel autorisé à cet effet.

CARACTÉRISTIQUES TECHNIQUES

L'étiquette sur laquelle figurent les caractéristiques techniques est apposée sur la partie postérieure de l'appareil. Avant de procéder à l'installation, prendre connaissance du schéma électrique et de toutes les informations que contient la présente notice.

Model	Burner	PUISSANCE(kW)	DIMENSIONS PLAQUE (mm)	DIMENSIONS TOTAL (mm)
FTH- 704 G	1x 7Kw	7	400 x 758 x 378	320 x 550 x 12
FTH- 708 G	2x 7Kw	14	800 x 758 x 378	720 x 550 x 12
FTH- 740 G	1x 7Kw	7	400 x 758 x 957	320 x 550 x 12
FTH- 780 G	2x 7Kw	14	800 x 758 x 957	720 x 550 x 12
FTH- C-704 G	1x 7Kw	7	400 x 758 x 378	320 x 550 x 12
FTH- C-708 G	2x 7Kw	14	800 x 758 x 378	720 x 550 x 12
FTH- C-740 G	1x 7Kw	7	400 x 758 x 957	320 x 550 x 12
FTH- C-780 G	2x 7Kw	14	800 x 758 x 957	720 x 550 x 12
FTHR- 708 G	2x 7Kw	14	800 x 758 x 378	720 x 550 x 12
FTHR- 780 G	2x 7Kw	14	800 x 758 x 957	720 x 550 x 12
FTHR- C-708 G	2x 7Kw	14	800 x 758 x 378	720 x 550 x 12
FTHR- C-780 G	2x 7Kw	14	800 x 758 x 957	720 x 550 x 12
FTR- 704 G	1x 7Kw	7	400 x 758 x 378	320 x 550 x 12
FTR- 708 G	2x 7Kw	14	800 x 758 x 378	720 x 550 x 12
FTR- 740 G	1x 7Kw	7	400 x 758 x 957	320 x 550 x 12
FTR- 780 G	2x 7Kw	14	800 x 758 x 957	720 x 550 x 12
FTR- C-704 G	1x 7Kw	7	400 x 758 x 378	320 x 550 x 12
FTR- C-708 G	2x 7Kw	14	800 x 758 x 378	720 x 550 x 12
FTR- C-740 G	1x 7Kw	7	400 x 758 x 957	320 x 550 x 12
FTR- C-780 G	2x 7Kw	14	800 x 758 x 957	720 x 550 x 12

CONTROLE DE L'EMBALLAGE ET DE L'APPAREIL

En vue de son transport, l'appareil quitte les établissements du fabricant parfaitement emballé (sur l'emballage sont apposés les étiquettes et les symboles nécessaires à cet effet). L'emballage contient également la notice des instructions d'utilisation. Dans le cas où l'emballage présenterait des dommages ainsi que dans le cas où il s'avérerait qu'il a été manipulé sans les précautions nécessaires, il est impératif d'adresser sans attendre une déclaration au transporteur en y joignant une acceptation de la marchandise sous réserve.

Recommandation importante:

- Pour usage professionnel seulement
- La présente notice des instructions d'utilisation et d'entretien contient d'importantes informations relatives à la sécurité, à l'installation et à l'utilisation; il est nécessaire d'en effectuer attentivement la lecture.
- Les recommandations se réfèrent à l'appareil objet de la présente notice.
- L'appareil est conforme aux normes en vigueur.
- Veiller à bien conserver la notice de telle sorte qu'elle puisse être consultée à tout moment en cas de besoin.
- Ne pas laisser des enfants s'approcher de l'appareil durant son utilisation.
- Pendant la vente ou après le déménagement de l'appareil vérifier que le personnel lise attentivement la présente notice d'utilisation
- L'appareil ne peut être utilisé que par le personnel instruit
- L'appareil ne peut être laissé en marche sans surveillance
- Il est recommandé de faire l'appareil contrôler au moins une fois par an dans un service spécialisé
- Ne pas utiliser que des pièces détachées originelles.
- En cas de défaut ou de mauvaise fonction, débrancher l'appareil (eau, gaz, électricité) et appeler un service spécialisé
- Le fabricant décline toute responsabilité en cas de dommages, directs ou indirects, causés par une mauvaise installation, utilisation, etc

LA LOCATION

Le local dans lequel l'appareil est installé doit être bien ventilé. Si l'appareil doit toucher le parois, celui-ci doit résister à la chaleur de 90°C au minimum. L'installation, le réglage et la mise en marche doivent être effectués par une personne qualifiée ayant une autorisation nécessaire selon les normes en vigueur.

Déballez l'appareil et vérifiez s'il n'était pas endommagé pendant le transport. Placez l'appareil sur une surface horizontale (pente maximale de 2°). Placez l'appareil sous une hotte pour éliminer la vapeur et mauvaise odeur.

L'appareil peut être installé seul ou en série avec d'autres appareils de notre fabrication. Il faut respecter la distance minimale de 10 cm entre l'appareil et d'autres objets ainsi qu'éviter le contact avec les matériaux inflammables. Dans ce cas il faut prévoir les arrangements nécessaires pour assurer la protection des parties inflammables.

INSTRUCTIONS TECHNIQUES POUR INSTALLATION ET REGLEMENT

Important:

Le fabricant ne fournit pas de garantie pour les défauts causés par l'usage, tout manquement impropre aux instructions contenues dans les instructions ci-jointes pour l'utilisation et aux mauvais traitements des appareils.

Installation, réglage et réparation d'appareils pour les cuisines, ainsi que leur élimination en raison de dommages possibles au gaz peut être effectuée qu'en vertu d'un contrat de maintenance, ce contrat peut être signé avec un distributeur agréé, et doivent être conformes à la réglementation technique et normes et réglementations concernant l'installation, l'alimentation, de raccordement de gaz et de la santé et la sécurité du système.

Ces instructions sont destinées au technicien qualifié qui doit effectuer l'installation, le mettre en marche et tester l'appareil.

Toute activité en tant que paramètres, le placement, le rééquilibrage etc, doit être faite que lorsqu'il est périphérique déconnecté de l'électricité. Si il est nécessaire d'avoir le périphérique connecté à l'électricité, vous devez garder la plus grande attention afin d'éviter toute blessure.

MÉSURES DE SÉCURITÉ POUR LA PROTECTION CONTRE INCENDIE SELON EN 06 1008 ARTICLE 21:

- l'appareil ne peut être utilisé que par des personnes majeures
- l'appareil peut être utilisé dans un espace ordinaire selon EN 332000-4-482; 332000-4-42
- l'appareil doit être placé ou suspendu d'une manière stable sur une surface ininflammable

Il est interdit de placer sur l'appareil ou dans la distance inférieure à 10 cm de l'appareil des objets inflammables.

- les distances de sécurité pour les matériaux inflammables selon leurs degré d'inflammabilité et les informations sur l'inflammabilité des matériaux de construction – voir le tableau

Tableau:

degré d'inflammabilité d'un matériel de construction (EN 730823)

A ininflammables	granit, grès, béton, briques, carrelage céramique, enduit
B difficilement inflammables	acumin, héraclite, lihnos, itaver
C1 mal inflammables	bois des arbres feuillus, contre-plaqué, papier durci, umakart
C2 inflammabilité moyenne	aggloméré, solodur, liège, caoutchouc, revêtements
C3 inflammabilité facile	planches de fibre de bois, polystyrène, polyurethane, PVC

L'appareil doit être installé d'une manière sûre. Pour l'ajustage de l'appareil est ce-ci procuré des pieds réglables.

- EN 06 1008 protection contre incendie des consommateurs d'énergie locaux et des émetteurs de chaleur
- EN 33 2000 (33 2000-4-482; 33 2000-4-42) le milieu pour les appareil électriques

TUYAU D'AMENÉE DU GAZ

Il faut d'abord déterminer si l'appareil est fait pour le même type de gaz qui sera utilisé et est donc conforme aux indications figurant sur l'étiquette du type de gaz utilisé.

La conversion de la poêle à gaz à un autre type de gaz, vous devez vérifier si elle correspond au type de palier à gaz, ce qui est recommandé dans ce guide.

Connexion de l'appareil à la distribution de gaz doit être tractable à un tube d'acier ou de cuivre se conformer aux exigences applicables nationales. Ce doit être contrôlée sur une base régulière et changé si nécessaire. Chaque appareil doit être équipé d'un robinet d'arrêt et rapide robinet d'arrêt. Rapide robinet d'arrêt doit être librement accessible et à portée de main de l'appareil. Après l'installation, est nécessaire pour vérifier s'il ya une fuite de gaz. Pour trouver une fuite de gaz, vous pouvez utiliser de l'eau savonneuse ou un spray pour la détection de fuite de gaz.

Ne pas utiliser de substances corrosives! Tous nos appareils sont soigneusement contrôlés. Type de gaz, la pression et des catégories énumérées le nom figure sur la plaque de l'information technique.

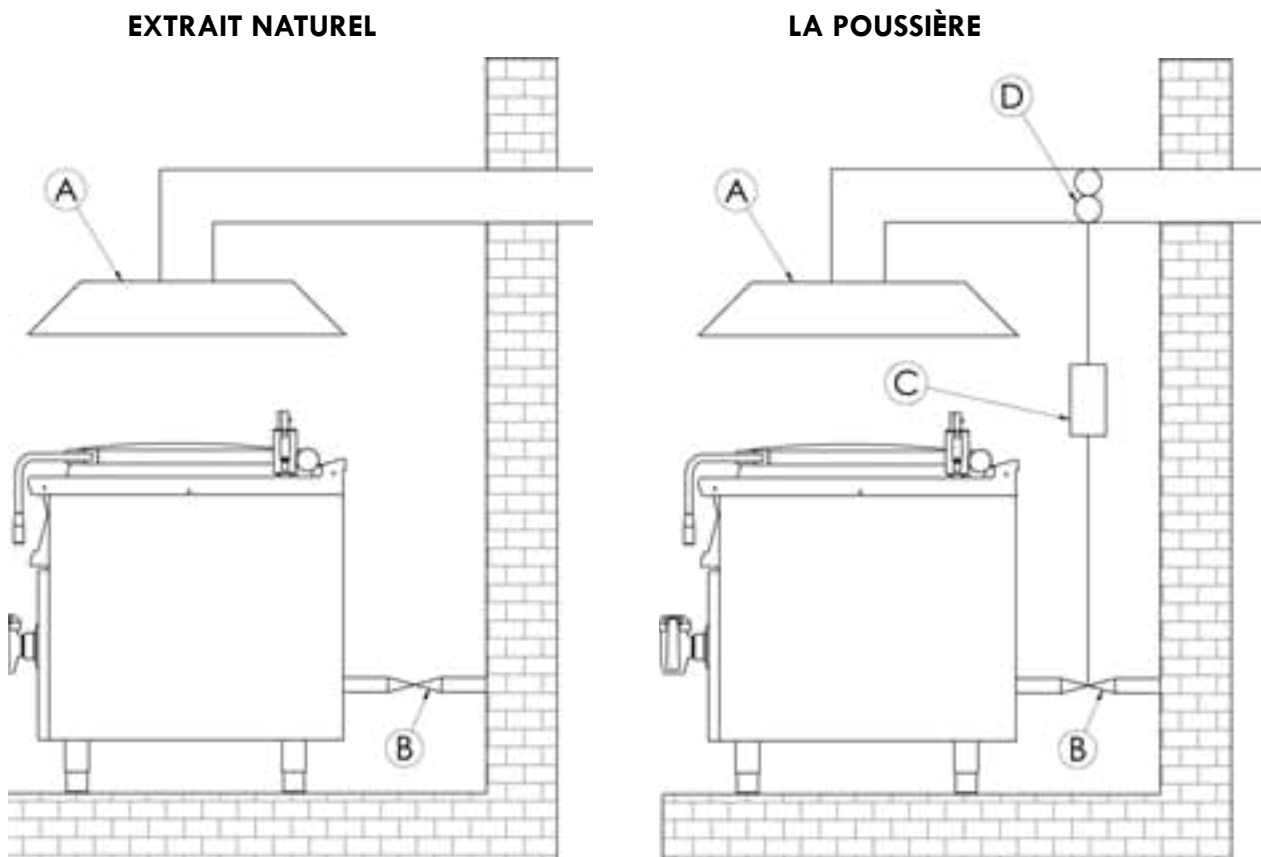
Raccordement au gaz liquide:

La pression de gaz pour le raccordement de liquide doit être 28 ou 30 mbar pour le propane / butane et 37 mbar pour le propane. Il est nécessaire de vérifier l'étiquette technique, d'évaluer la pression et vérifier les paramètres de la buse est installé avec les paramètres requis de la buse selon les indications du fabricant. Si la pression est inférieure à 25mbar ou supérieure à 37 mbar, l'appareil doit ne pas être connecté.

Raccordement au gaz:

Pression pour la connexion du méthane doit être 18 ou 20 mbar. Il est nécessaire de vérifier l'étiquette technique, d'évaluer la pression et vérifier les paramètres de la buse est installé avec les paramètres requis de la buse selon les indications du fabricant. Si la pression du gaz est inférieure à 15mbar ou supérieur à 22,5 mbar, l'appareil doit ne pas être connecté.

CHEMINÉE POUR LA CONCEPTION D'UN DISPOSITIF DE TYPE A



Hotte aspirante avec extraction naturelle (A). Gaz de combustion fournit un tirage de la cheminée naturelle.

Bouchon à la sortie sans extraction naturelle. Des gaz de combustion est assurée par un ventilateur (D) (extraction forcée). Dans ce cas il faut assurer la connexion avec une alimentation en gaz (B) à l'alimentation en gaz en cas de défaillance.

CHECK THE GAS TYPE THE DEVICE IS ADJUSTED FOR

Nos appareils sont certifiés et réglementée du gaz naturel (voir la plaque technique). Conversion ou l'adaptation à un autre type de gaz doit être effectuée par du personnel autorisé. Buses pour différents types de gaz sont dans un sac fourni avec la cuisinière à gaz et sont marqués en centièmes de mm (table des tuyaux de données techniques).

Remplacement de la buse et de réglage de pression

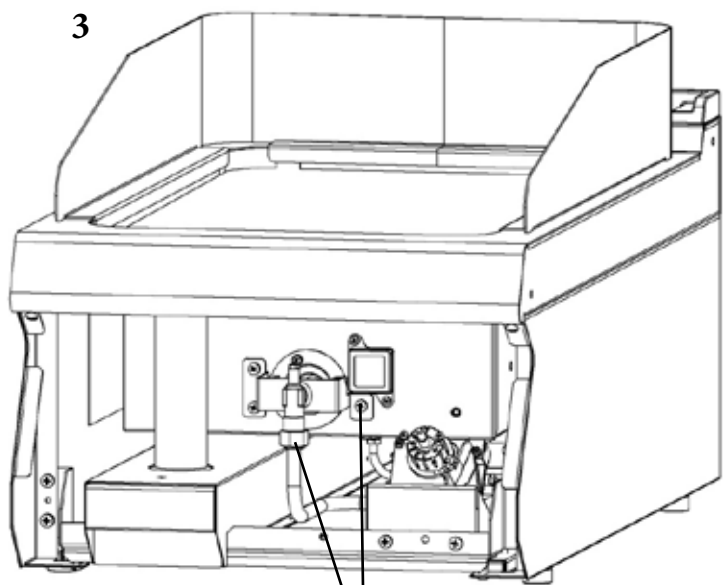
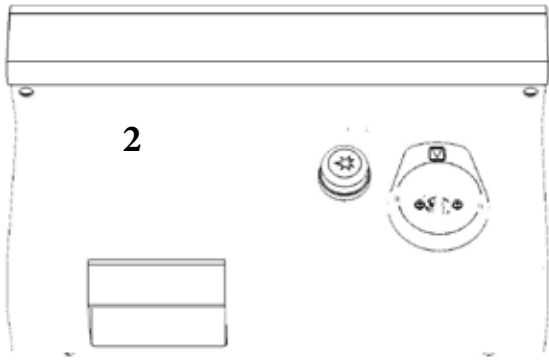
Pour changer la buse du brûleur principal, veuillez suivre les instructions suivantes :

- 1) Retirer les boutons de commande du panneau frontal (fig.1, Note. 1)
- 2) Démontez le panneau frontal (fig.1, Note. 2)
- 3) Dévisser la buse du brûleur principal conformément à l'image 2 et la remplacer par la buse indiquée dans le tableau „CARACTÉRISTIQUES TECHNIQUES“.
- 4) Régler l'arrivée d'air en fonction du type de gaz conformément au tableau „CARACTÉRISTIQUES TECHNIQUES“.

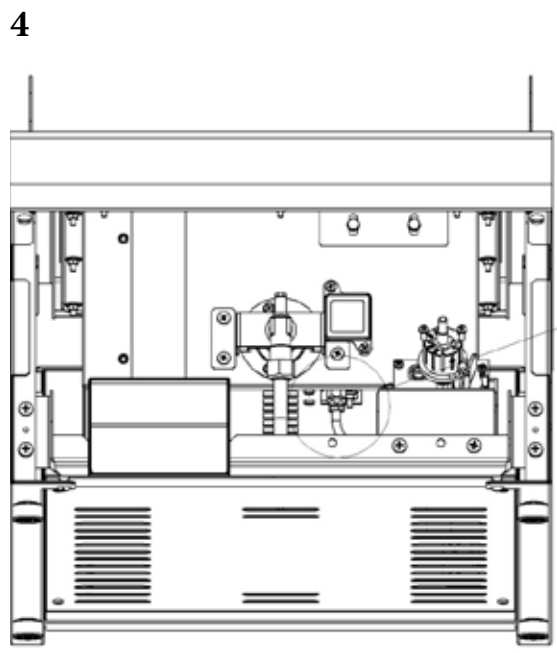
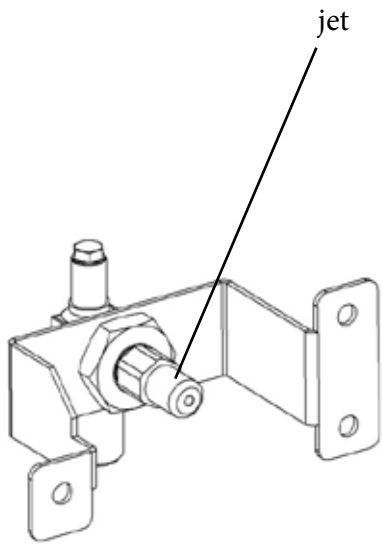
Régler le brûleur pilote en desserrant la vis de sécurité avec une clé, puis dévisser la buse du brûleur pilote (fig.3, note 1) (fig.3, note 2,3) et la remplacer par une buse correspondant au type de gaz utilisé en respectant les instructions du tableau. Serrer le capot de la buse avec une clé et régler le mode « éco », voir texte ci-dessous.

Important:

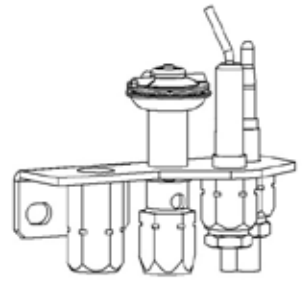
Après ce qui s'est fait ajuster l'appareil à un autre type de gaz, il est nécessaire de changer le gaz indiqué sur la plaque technique situé dans un endroit visible sur le dos de l'appareil.



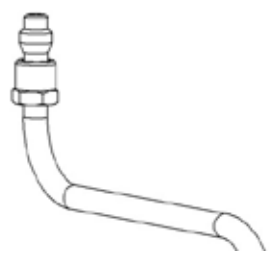
unmout



unmout



jet



MODE D'EMPLOI

Il est recommandé de faire l'appareil contrôler au moins tous les douze mois par le service spécialisé. Tous les interventions peuvent être effectuées uniquement par la personne qualifiée, ayant le permis d'effectuer ce type des travaux.

Certaines parties peuvent nécessiter l'échange pendant la vie de l'appareil :

piezzo électrode, sonde thermique

L'échange de la piezzo électrode ou de la sonde thermique : tab.D

Déviser et dégager le couvercle du bas (17). Déviser le joint de l'électrode piezzo et de la sonde thermique (26). Débrancher et démonter l'électrode piezzo (27) ou la sonde thermique (23). Pour le montage du nouvel élément utiliser le procédé inverse.

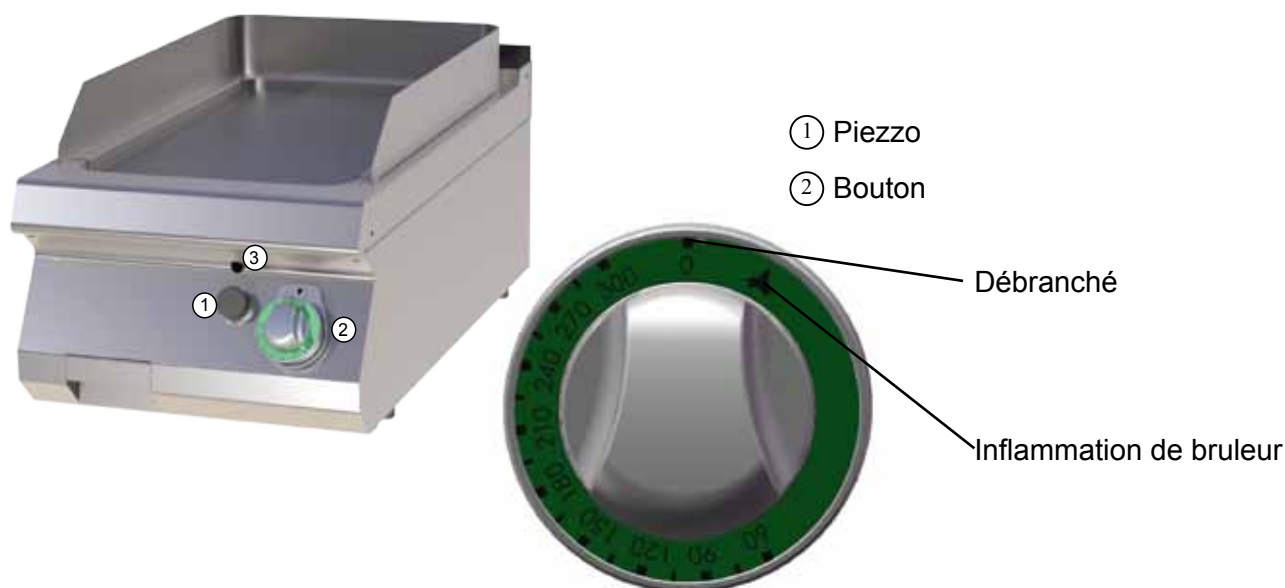
Attention ! Si, pendant la première utilisation, la plaque dégage de la fumée, il faut laisser l'appareil marcher à vide au moins pendant une heure, jusqu'à la disparition de l'odeur.

Allumage du brûleur principal et régulation de la puissance thermique : tab. A, B

Mettre le bouton du robinet (2) dans la position « l'allumage du brûleur principal », appuyer sur lui et tenir, appuyer plusieurs fois sur le bouton de l'allumeur piezzo jusqu'à ce que le brûleur principal ne s'allume. Vous pouvez voir la flamme à travers le trou dans le panneau frontal. Tenez le bouton (2) encore pendant quelques secondes jusqu'à ce que la sonde thermique ne se chauffe, puis lâchez le bouton. Si la flamme s'éteint, répétez le procédé.

- pour éteindre l'appareil tab. A, B

Mettez le bouton (2) dans la position « 0 ».



Réceptier de la graisse

Vérifier régulièrement le réceptier et le vider à temps. Une fois l'appareil éteint, il faut vider le réceptier.

ATTENTION! LE RÉCIPENT DE LA GRAISSE PEUT DEVENIR TRES CHAUD AU COURS DE L'UTILISATION! VIDER LE RECIPIENT DE L'APPAREIL DEJA REFROIDI UNIQUEMENT.

Notices et recommandations

Les appareils avec la plaque de cuisson divisée en deux parties (GL – 60G) – il est possible de régler une température différente sur chaque moitié ou bien n'utiliser qu'une moitié de la plaque. Utiliser l'appareil uniquement sous surveillance

NETTOYAGE ET ENTRETIEN

Il est recommandé de faire contrôler l'appareil dans un service spécialisé au moins une fois par an. Toutes les interventions peuvent être effectuées seulement par une personne qualifiée ayant une autorisation pour ces interventions.

ATTENTION ! L'appareil ne peut pas être nettoyé sous l'eau courante ou de pression. Nettoyer l'appareil chaque jour. Nettoyage quotidien prolonge la vie et le fonctionnement de l'appareil. Avant le nettoyage vérifier, si l'appareil est débranché. Toujours débrancher l'alimentation principale. Les pièces en inox nettoyer à l'aide d'un torchon humide et un détergent sans particules abrasives, rincer, sécher. Ne jamais utiliser les produits abrasifs ou corrosifs.

Comment procéder en cas de panne de l'appareil

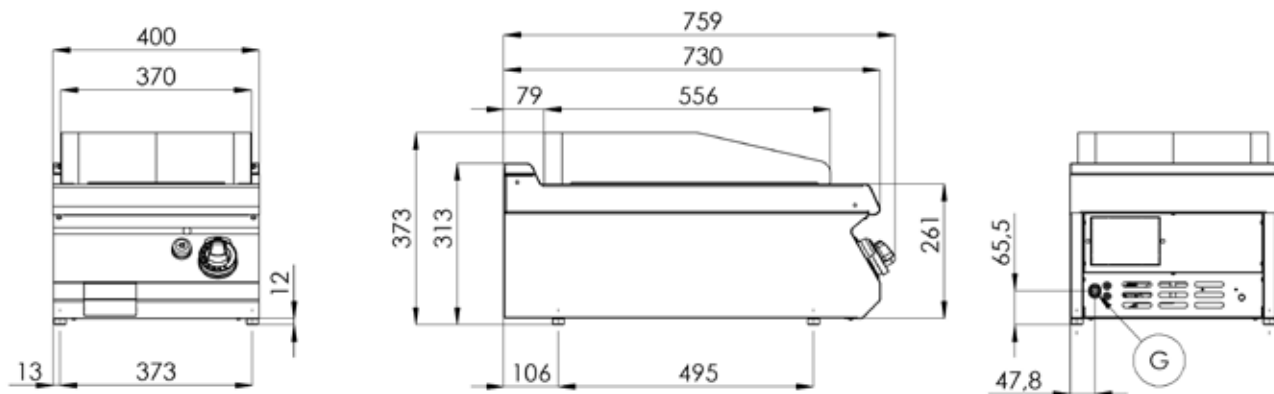
Débrancher l'appareil et appeler le service spécialisé.

AVERTISSEMENT:

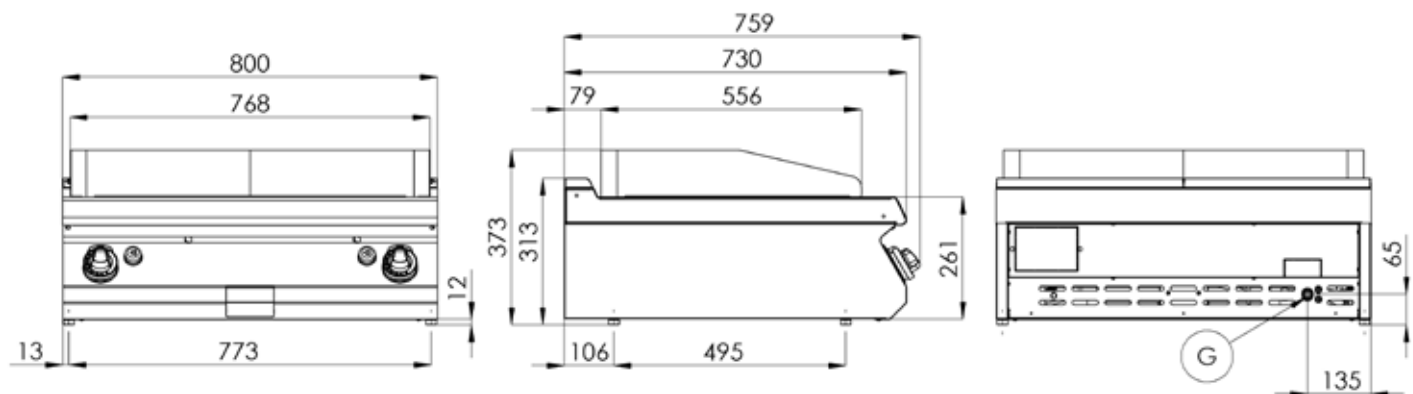
La garantie ne concerne pas les bourrelets en caoutchouc, bulbes, parties en verre et en plastique. Elle ne concerne également pas tout l'appareil si l'installation n'a pas été effectuée par une personne qualifiée, selon le mode d'installation ou selon les normes en vigueur ou si l'appareil n'a pas été utilisé selon le mode d'emploi, s'il y avait des interventions nonprofessionnelles (interventions à l'intérieur de l'appareil). La garantie ne concerne pas les endommagements causés par la pluie, vent, etc.

DIMENSION PLANS / MASSKIZZEN / DIMENSIONS

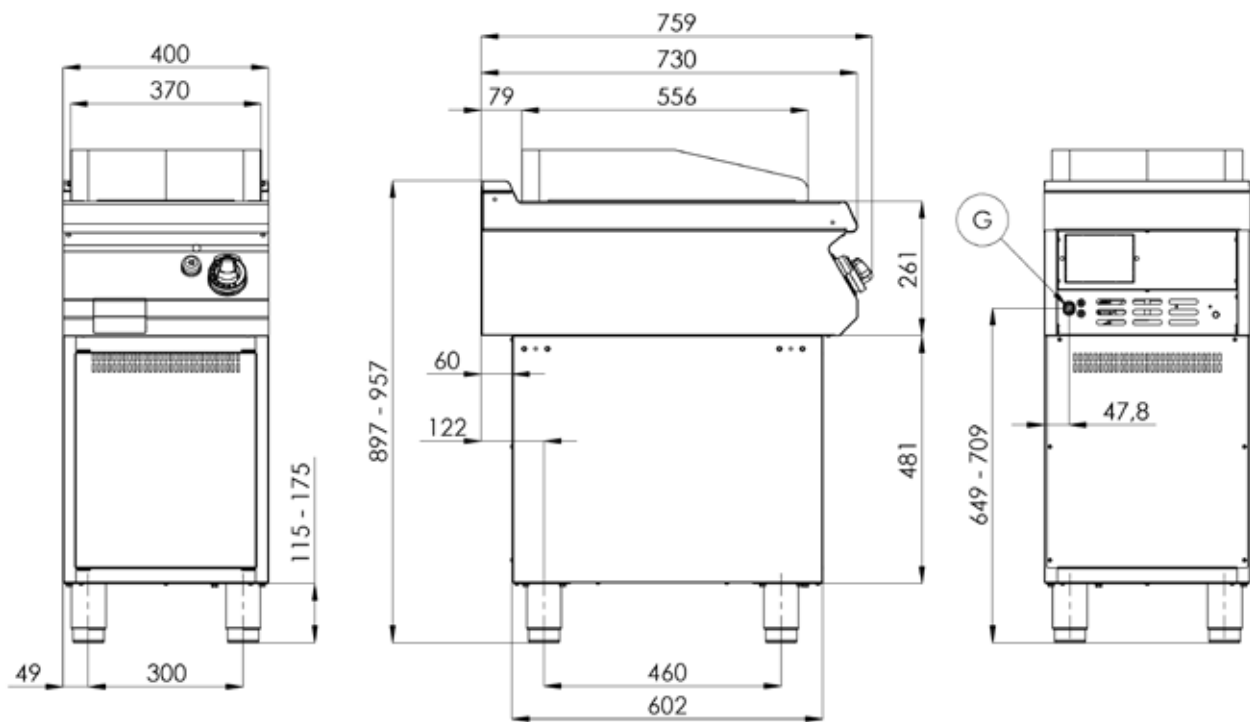
FT**-704 G



FT**-708 G



FT**-740 G



FT**-780 G

