



# Electrolux

## Modular Cooking Range Line 900XP 3 Drawer Refrigerated Base

ITEM # \_\_\_\_\_

MODEL # \_\_\_\_\_

NAME # \_\_\_\_\_

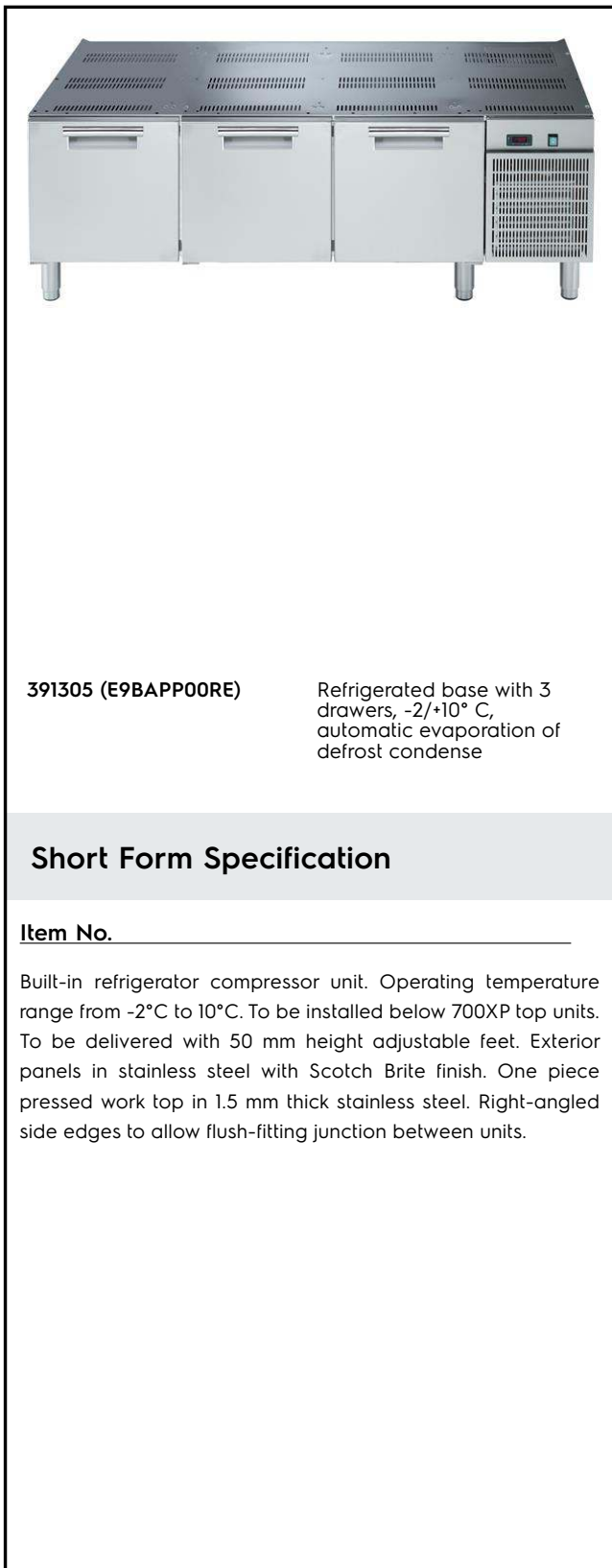
SIS # \_\_\_\_\_

AIA # \_\_\_\_\_



Electrolux

Modular Cooking Range Line  
900XP 3 Drawer Refrigerated Base



391305 (E9BAPP00RE)

Refrigerated base with 3 drawers, -2/+10° C, automatic evaporation of defrost condense

### Short Form Specification

**Item No.** \_\_\_\_\_

Built-in refrigerator compressor unit. Operating temperature range from -2°C to 10°C. To be installed below 700XP top units. To be delivered with 50 mm height adjustable feet. Exterior panels in stainless steel with Scotch Brite finish. One piece pressed work top in 1.5 mm thick stainless steel. Right-angled side edges to allow flush-fitting junction between units.

### Main Features

- Defrosting and automatic evaporation of condense drain: the condense is automatically evaporated thanks to the electric resistance in the condense drain container.
- Adjustable temperature range from -2 °C to +10 °C to suit meat, fish and dairy storage requirements.
- Forced air circulation for rapid cooling and an even temperature distribution.
- Right angled side edges eliminate gaps and possible dirt traps between units.
- Unit delivered with 50 mm height adjustable feet in Stainless steel.
- Unit can be easily installed below other 900 line top models.
- GN compliant.
- Designed for modular installation into the cooking block.

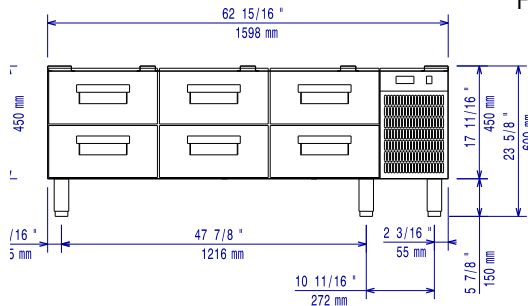
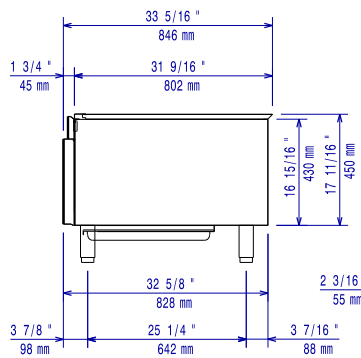
### Construction

- Access to all components from the front.
- Built-in compressor to suit operating conditions.
- CFC free (ecological refrigerant type: R404a, - gas in foam: cyclopentane).
- Exterior panels in Stainless steel with Scotch Brite finish to meet the highest hygiene standards.

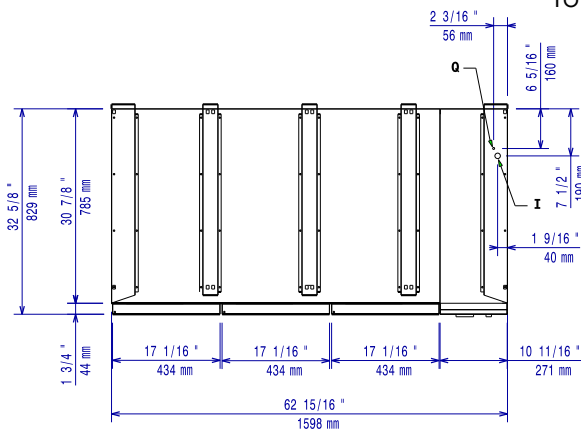
### Optional Accessories

- Flanged feet kit PNC 206136
- Frontal kicking strip for concrete installation, 1600mm PNC 206152
- Frontal kicking strip, 1600mm (not for refr-freezer base) PNC 206179
- Kit 3 base support for wheels PNC 206430
- Kit 6 wheels - 3 swivelling with brake PNC 206432

APPROVAL: \_\_\_\_\_

**Front**

**Side**


D = Drain  
EI = Electrical inlet (power)

**Top**


## Electric

<b>Supply voltage:</b>	
391305 (E9BAPP00RE)	230 V/1N ph/50 Hz
<b>Electrical power max.:</b>	0.4 kW
<b>Total Watts:</b>	0.4 kW
<b>Predisposed for:</b>	

## Key Information:

<b>Gross capacity:</b>	225 lt
<b>External dimensions, Width:</b>	1600 mm
<b>External dimensions, Height:</b>	600 mm
<b>External dimensions, Depth:</b>	830 mm
<b>Net weight:</b>	110 kg
<b>Shipping weight:</b>	148 kg
<b>Shipping height:</b>	840 mm
<b>Shipping width:</b>	1050 mm
<b>Shipping depth:</b>	1700 mm
<b>Shipping volume:</b>	1.5 m <sup>3</sup>

## Refrigeration Data

<b>Refrigerant type:</b>	R404a
<b>Refrigeration power:</b>	410 W
<b>Refrigerant weight:</b>	400 g