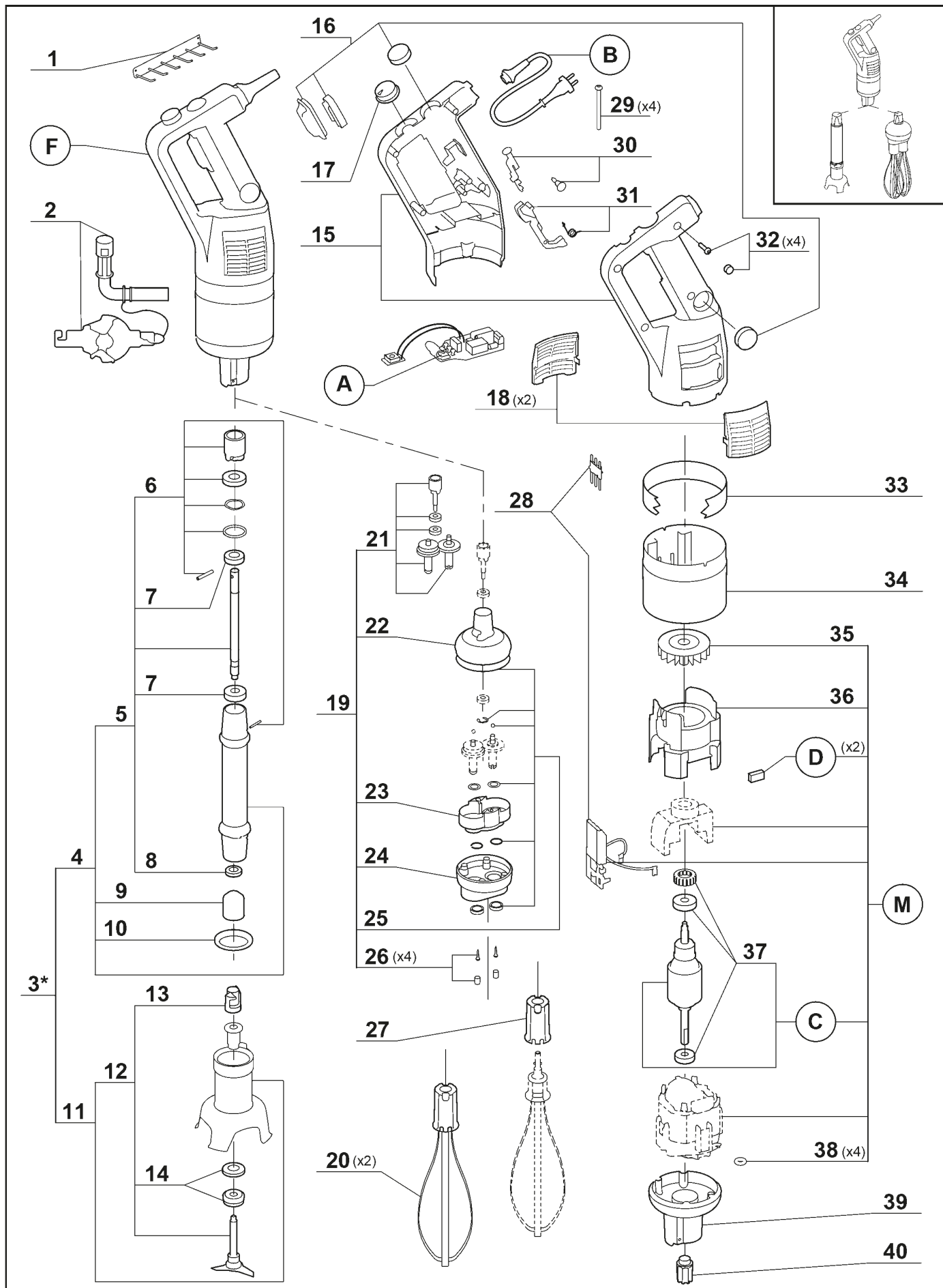


robotcoupe®

CMP 300 Combi

N° de série / Serial number
- 162 - - - - -
- 374 - - - - -



* Voir tarif machines / See export price list

Index	Pièce / Part	Désignation	Description
1	89 630	SUPPORT MURAL MPC	MPC WALL SUPPORT
2	89 662	OUTIL DEMONTAGE MP/CMP	MP/CMP DISMOUNT TOOL
3	* 27 250	PIED CMPC 300 COMPLET	CMPC 300 COMPLETE FOOT
4	89 657	PIED CMPC 300 EQUIPE	CMPC 300 FOOT
5	89 812	ARBRE D'ENTRAINEMENT CMPC 300	CMPC 250 DRIVING SHAFT
6	89 643	KIT PIED MPC/CMP/CMPC	MPC/CMP/CMPC FOOT KIT
7	89 645	ROULEMENT INOX 608 2RS	STAINL ST BEAR 608 2RS
8	89 646	JOINT A LEVRE 8x18x5	SEAL 8x18x5
9	89 626	CAGE D'ENTRAINEMENT MP/CMP	MP/CMP DRIVING FRAME
10	89 628	JOINT DE PIED MP/CMP	FOOT SEAL
11	89 678	CLOCHE CMP EQUIPEE	CMP BELL COVER
12	89 676	COUTEAU CMP	CMP BLADE
13	89 627	MOYEU D'ENTRAINEMENT MP/CMP	MP/CMP DRIVING HUB
14	89 642	GARNITURE D'ETANCHEITE	SEAL RING
15	89 547	KIT POIGNEES (G+D)+VIS+CACHE CMP	CMP HANDLES (L+R) KIT+SCREW+ CAP SCREW CMP
16	89 533	KIT ETANCHEITE MP/CMP+VIS+CACHE VIS	MP/CMP WATERPROOFNESS KIT+SCREW+CAP SCREW
17	89 536	BOUTON VARIATEUR MP/CMP.+VIS+CACHE VIS	MP/CMP VARIATOR SWITCH+SCREW+CAP SCREW
18	89 546	KIT GRILLES CMP (x2)	CMP VENT COVERS KIT (x2)
19	89 651	BOITE FOUET CMP	CMP WHIP BOX
20	89 649	FOUETS CMP (x2)	CMP WHIPS (x2)
21	89 549	KIT PIGNONS + BAGUE + ROUL ^{ent} +VIS+CACHE-VIS B.F.	GEARS+RING+BEARING+SCREW+CAP SCREW KIT
22	89 379	COQUE SUP BF MP/CMP+VIS+CACHE VIS	MP/CMP BF UPPER BODY+SCREW+CAP SCREW
23	89 385	FLASQUE+VIS+CACHE-VIS	PLATE+SCREW+CAP SCREW
24	89 746	COQUE INF PLAST BF CMP	BF CMP LOWER BODY PLAS
25	89 545	KIT JOINT RONDELLE BF +VIS+CACHE VIS	BF SEAL WASHER KIT +SCREW+CAP SCREW KIT
26	89 389	VIS+CVIS BF MP CMP	BF SCREW+CAP SCREW
27	89 552	KIT EJECT FOUET MP/CMP	MP/CMP WHIP EJECTOR
28	89 548	KIT CONNECTION CMP+VIS+CACHE VIS	CMP CONNECTOR KIT+SCREW+CAP SCREW
29	89 623	VIS M4x95 CMP (x4)	CMP SCREW M4x95 (x4)
30	89 530	KIT BOUTON MP/CMP+VIS+CACHE VIS	MP/CMP KNOBS KIT +SCREW+CAP SCREW KIT
31	89 531	KIT LEVIER CDE MPC/CMP+VIS+CACHE VIS	MPC/CMP COMMAND ARM KIT+SCREW+CAP SCREW
32	89 532	KIT VIS POIG MP/CMP (x4)	MP/CMP HANDLE SCREW (x4)
33	89 610	VIROLE CMPC 300	CMPC 300 FERRULE
34	89 612	VIROLE MOTEUR CMP	CMP MOTOR FERRULE
35	89 576	VENTILATEUR CMP	CMP VENTILATOR
36	89 570	CONDUIT VENTILATEUR CMP	CMP VENTILATOR PIPE
37	89 679	ROULEMENT MOTEUR CMP	CMP MOTOR BEARING
38	89 639	JOINT TORIQUE Ø2x1,5 (x4)	SEAL Ø2x1,5 (x4)
39	89 641	CARTER ALU CMP	CMP ALUMINIUM CASING
40	89 661	MOYEU D'ENTRAINEMENT CMPC	CMPC DRIVING HUB

Index	Désignation	Description
A	PLATINE	CIRCUIT BOARD
B	CABLE D'ALIMENTATION	POWER CORD
C	INDUIT	INDUCED CIRCUIT
D	CHARBONS (x2)	BRUSHES (x2)
F	BLOC MOTEUR	BLOCK MOTOR
M	MOTEUR	MOTOR

Machine	Voltage	A	B	C	D	F	M
34 314 A BRA	220/60/1	89 753	89 117	89 759	89 575	89 119	89 761
34 318 / 34 318 A Arabie			89 539			89 108	
34 314 / 34 314 A			89 538			29 834	
34 310 / 34 310 A	230/50/1	89 751	89 542			29 820	
34 316 / 34 316 A Suisse			89 110			29 838	
34 310 A ZAF			89 539			89 111	
34 311 / 34 311 A UK	240/50/1	89 751	89 540	89 760	89 575	29 825	89 762
34 322 / 34 322 A Aust			89 541			29 829	
34 315 / 34 315 A	120/60/1	89 752	89 522	89 760	89 575	29 842	89 762
34 319 / 34 319 A Japon			89 522			29 792	