

## LiberoPro

### Flat Induction, mono zone, drop in, 3Phase

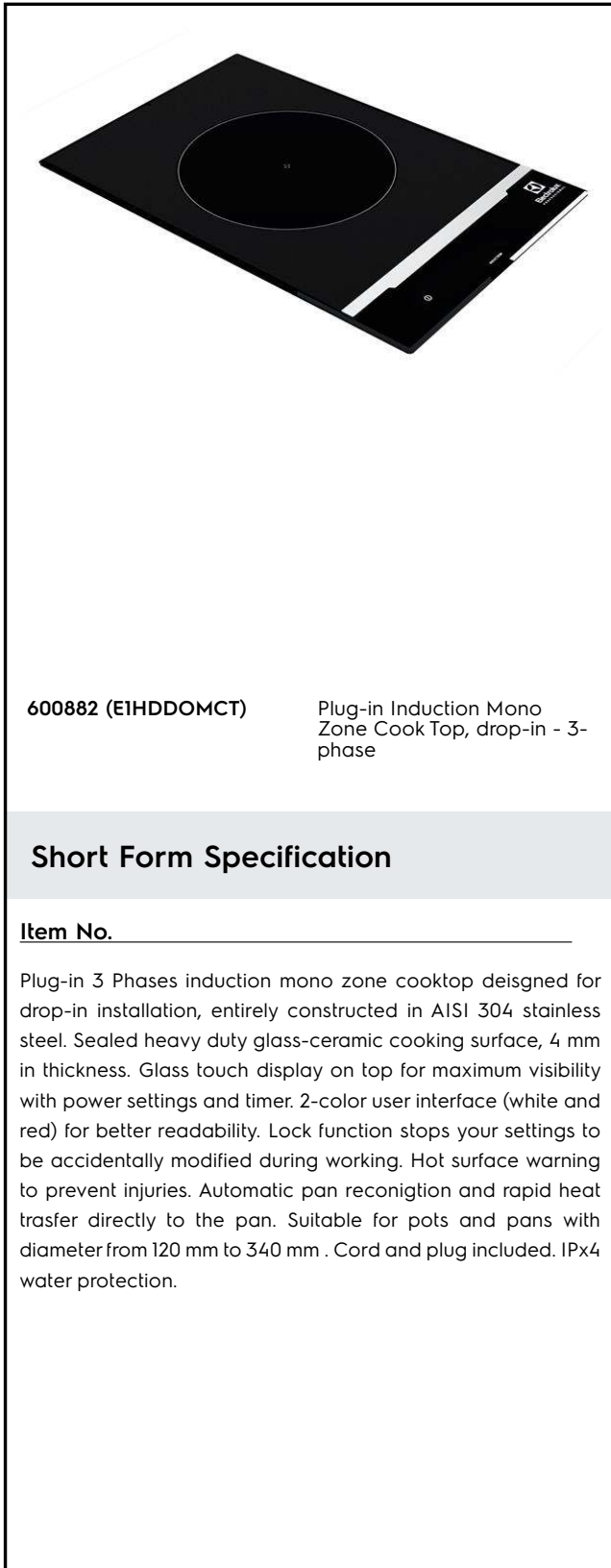
ITEM # \_\_\_\_\_

MODEL # \_\_\_\_\_

NAME # \_\_\_\_\_

SIS # \_\_\_\_\_

AIA # \_\_\_\_\_


**600882 (EIHDDOMCT)**

Plug-in Induction Mono Zone Cook Top, drop-in - 3-phase

### Short Form Specification

**Item No.** \_\_\_\_\_

Plug-in 3 Phases induction mono zone cooktop designed for drop-in installation, entirely constructed in AISI 304 stainless steel. Sealed heavy duty glass-ceramic cooking surface, 4 mm in thickness. Glass touch display on top for maximum visibility with power settings and timer. 2-color user interface (white and red) for better readability. Lock function stops your settings to be accidentally modified during working. Hot surface warning to prevent injuries. Automatic pan recognition and rapid heat transfer directly to the pan. Suitable for pots and pans with diameter from 120 mm to 340 mm. Cord and plug included. IPx4 water protection.

### Main Features

- Plug in unit designed for drop in installations.
- 2-color user interface (white and red) for better readability.
- Rapid heat transfer directly to the pan, no heat is dispersed into the environment.
- Automatic pan detection to transfer power only when pan is present.
- Glass touch display on top for maximum visibility.
- Power level settings from 1 to 10.
- Timer function can be used to set the cooking time, switching off the zone automatically at the end of the time set.
- Suitable for pot and pan with diameter from 120 mm to 340mm.
- Self-diagnostics: an error code is displayed (Exxx) in case of dysfunction.

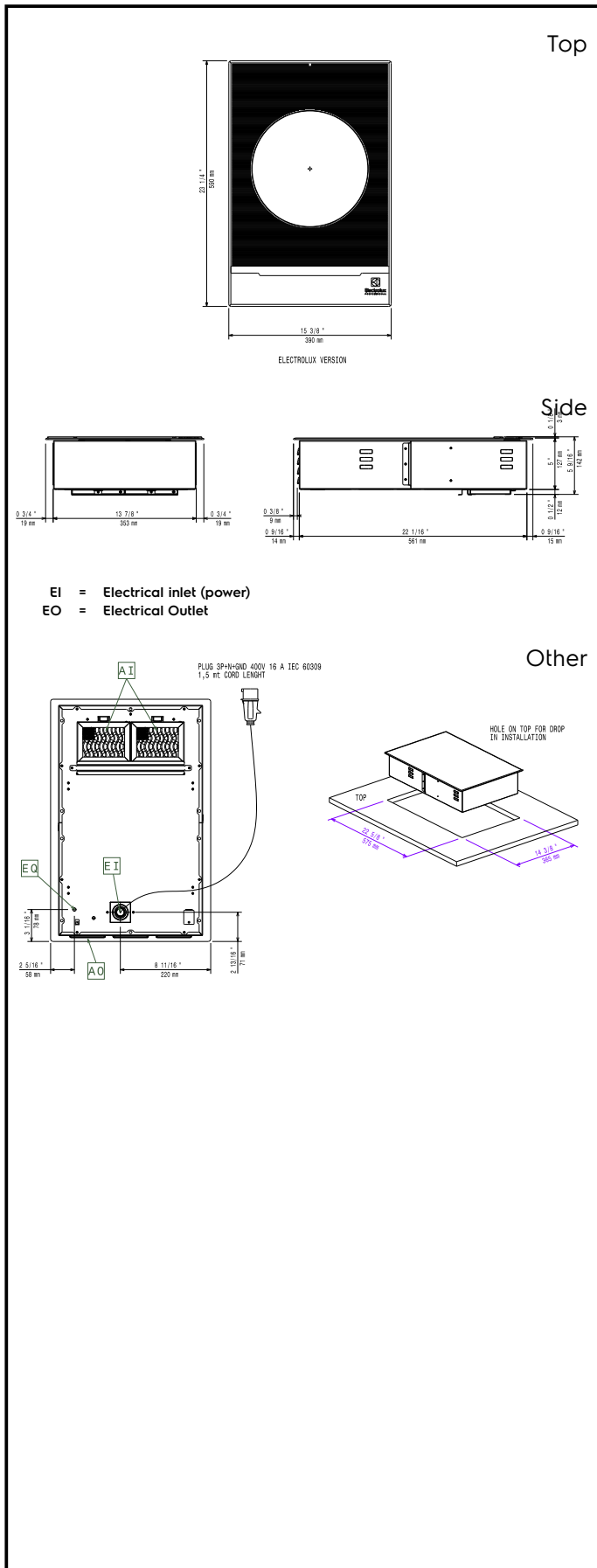
### Construction

- Heavy duty AISI 304 Stainless steel construction.
- Sealed heavy duty glass-ceramic cooking surface, 4 mm in thickness.
- Cord and plug included.
- IPx4 water protection.

### Optional Accessories

- Stainless steel universal frying pan with stainless steel handle (diam. 200mm) suitable for induction and all other heating sources PNC 653596
- Universal frying pan with stainless steel handle (diam. 240mm) suitable for induction and all other heating sources PNC 653597
- Universal frying pan with stainless steel handle (diam. 280mm) suitable for induction and all other heating sources PNC 653598
- Universal frying pan with ribbed plate suitable for induction cookers PNC 653618

APPROVAL: \_\_\_\_\_



### Electric

<b>Supply voltage:</b>	
600882 (E1HDDOMCT)	380-415 V/3 ph/50-60 Hz
<b>Total Watts:</b>	5 kW
<b>Plug type:</b>	IEC/EN 60309-1/2
<b>Minimum Circuit Ampacity (MCA):</b>	16A

### Key Information:

<b>External dimensions, Width:</b>	392 mm
<b>External dimensions, Height:</b>	127 mm
<b>External dimensions, Depth:</b>	592 mm
<b>Net weight:</b>	14 kg