

TECHNICAL INFORMATION

Roasting area	1300 mm x 6 spit rods
Maximum capacity	42 chickens
Fire up time	30 min average
Charcoal/Wood daily consumption *	Charcoal 30 – 34 kg
Broiling temperature	200 °C a 300 °C
Maximum weight per spit rod	10 – 12 Kg
Exhaust rate	4.000 m3/h
Net weight	480 kg
Electric connection	EU: 220 V / 50 Hz USA: 120 V / 60 Hz

DIMENSIONS & WEIGHTS

Without packaging	1600x1050x1930 mm
With packaging	1730x1210x2070 mm
Weight (NET)	480 kg
Weight (with packaging)	600 kg

INSTALLATION

Clearance with non-flammable equipment	100 mm
Clearance with flammable equipment	300 mm

*Depends on the charcoal/wood quality.



INCLUDED ACCESSORIES

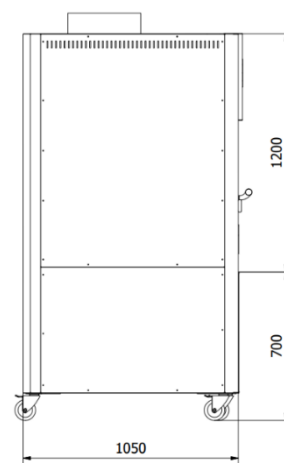
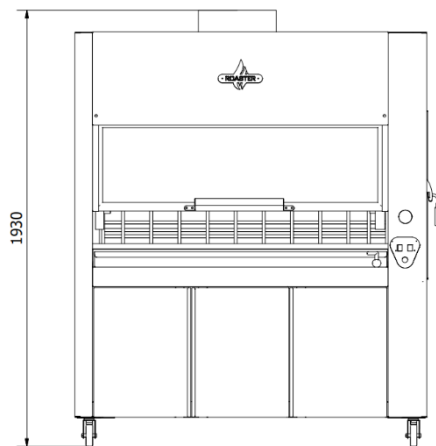
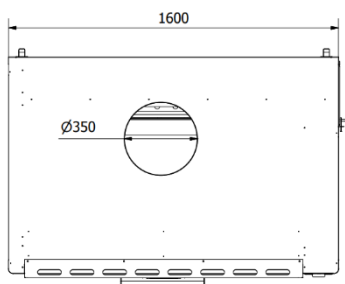
6 Spit Rods // 30 double spit forks for chickens // 18 single spit forks for chickens// Poker//
Ash pan drawer // Grease tray // Grease evacuation tap //Fire bricks //Lights x3 // Packaging

OPTIONAL ACCESSORIES

Extra spit rods// Extra spit forks// Roasting baskets



TECHNICAL DRAWINGS



*Dimensions in mm

*The rotisseries are subject to technical and design changes without previous notice.

