

**LAVAPENTOLE
POT WASHER****ZPPWES / APPWES / EPPWES / ZPPWEH
APPWEH / EPPWEH / ZPPWSSG / ZPPWEL
APPWEL / EPPWEL / ZPPWSLG**

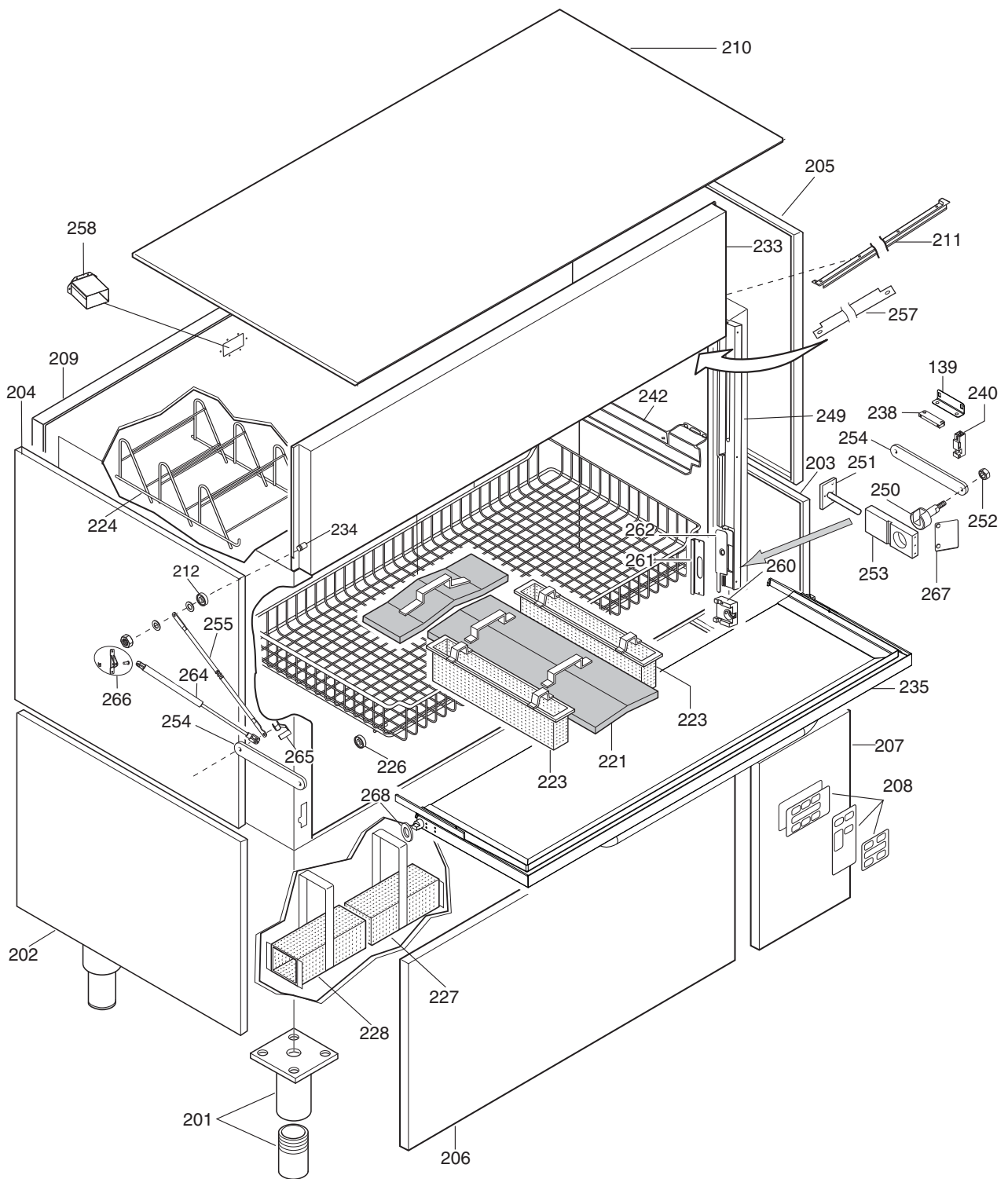
| Code | Type | Ref. | Pagina/ Page |
|--------|-----------|------|--------------|
| 506048 | EPPWESG | m | 2 4 6 7 9 |
| 506049 | EPPWESG60 | n | 2 4 6 7 9 |
| 506050 | EPPWEHG | r | 2 4 6 7 9 |
| 506051 | ZPPWESG | a | 2 4 6 7 9 |
| 506052 | ZPPWEHG | d | 2 4 6 7 9 |
| 506053 | ZPPWSSG | g | 2 4 6 7 9 |
| 506054 | EPPWELG | p | 3 5 6 8 9 |
| 506055 | EPPWELG60 | q | 2 4 6 7 9 |
| 506056 | ZPPWELG | e | 3 5 6 8 9 |
| 506057 | ZPPWSLG | h | 3 5 6 8 9 |
| 698083 | APPWELG | c | 2 4 6 7 9 |
| 698085 | APPWESG | x | 2 4 6 7 9 |
| 698086 | APPWEHG | v | 2 4 6 7 9 |

| Pagina/ Page | Indice/ index |
|--------------|---|
| 2 | Vista generale * / Main view * |
| 3 | Vista generale ** / Main view ** |
| 4 | Componenti idraulici * / Hydraulic components * |
| 5 | Componenti idraulici ** / Hydraulic components ** |
| 6 | Circuito di scarico / Drain circuit |
| 7 | Circuito idraulico * / Hydraulic circuit * |
| 8 | Circuito idraulico ** / Hydraulic circuit ** |
| 9 | Componenti elettrici / Electrical components |
| 10 - 17 | Lista ricambi / Spare parts list |

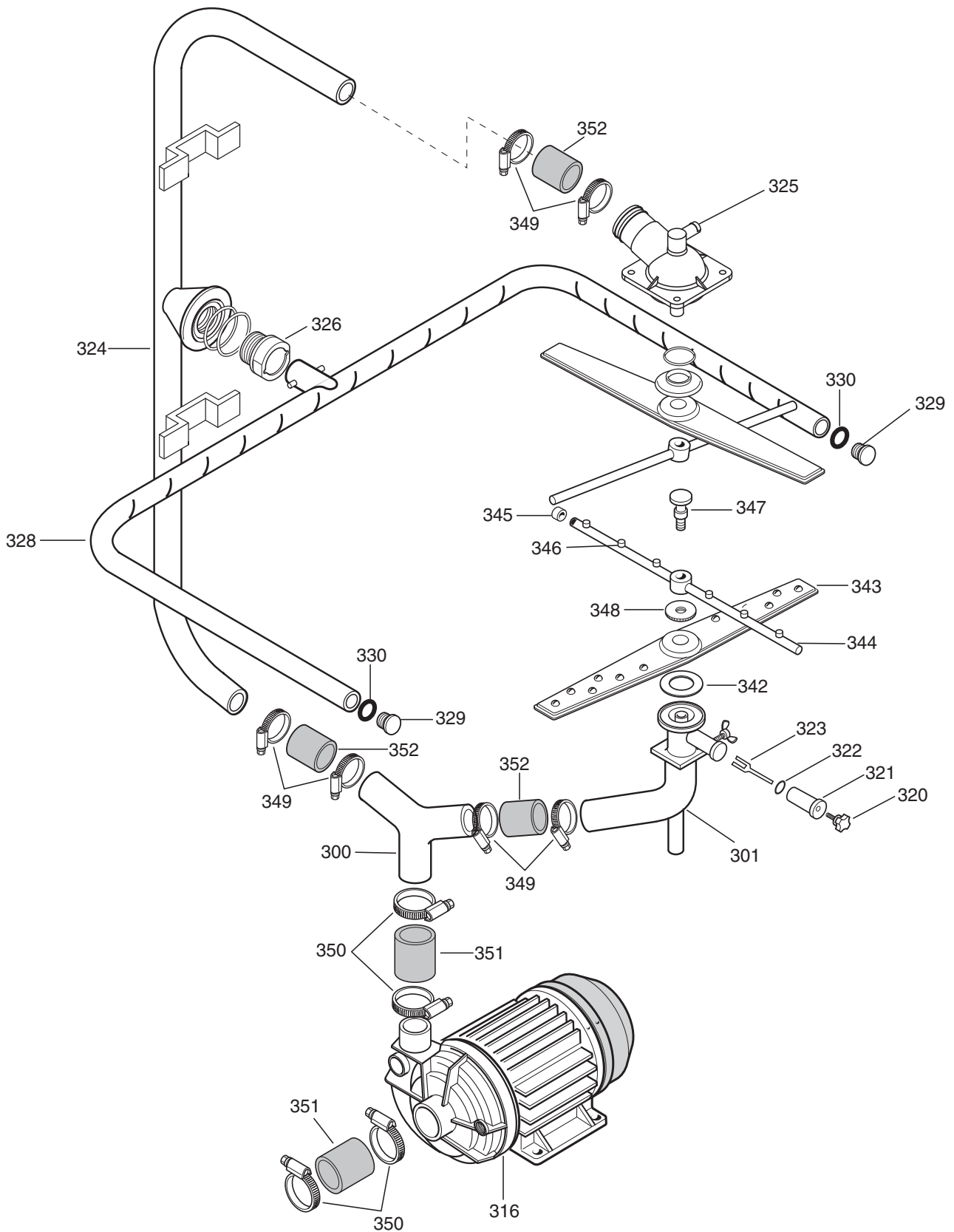
* ZPPWES / APPWES / EPPWES / ZPPWEH / APPWEH / EPPWEH / ZPPWSSG

** ZPPWEL / APPWEL / EPPWEL / ZPPWSLG

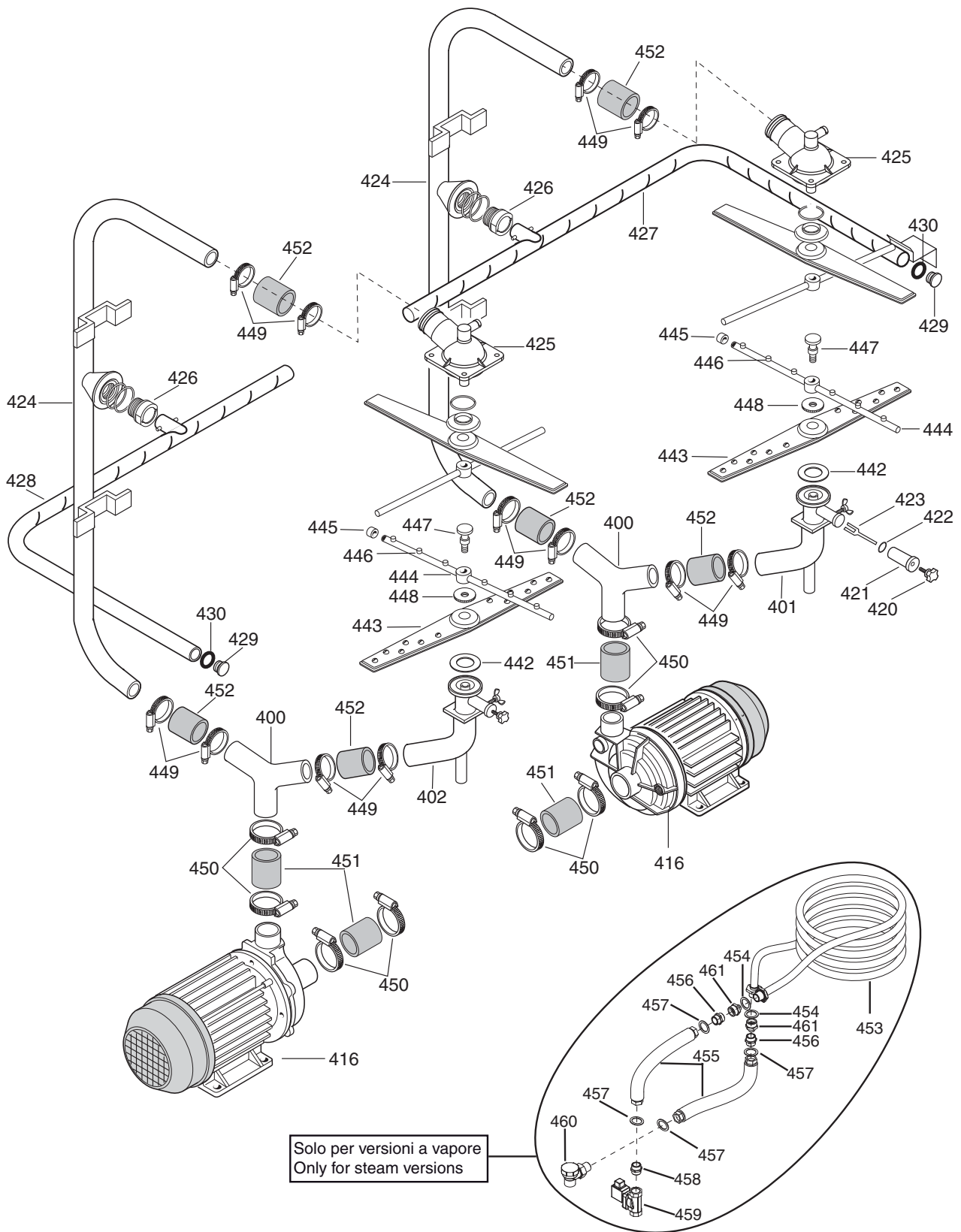
Marchio/ Brand: Z - E - A**Paese/ Country: Tutti/ All**



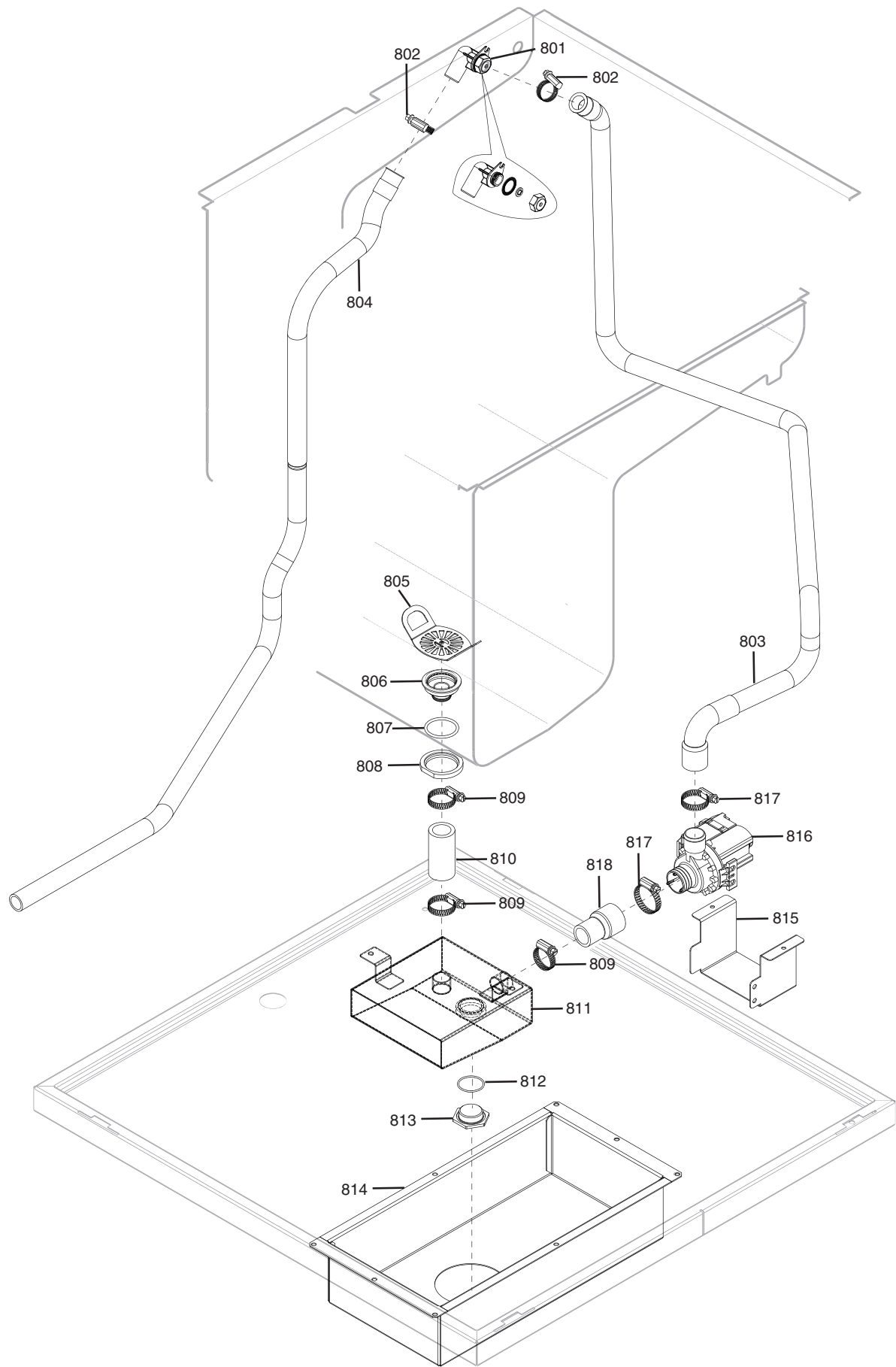
ill. 59566CG00_p2
 Vista generale ** / Main view **



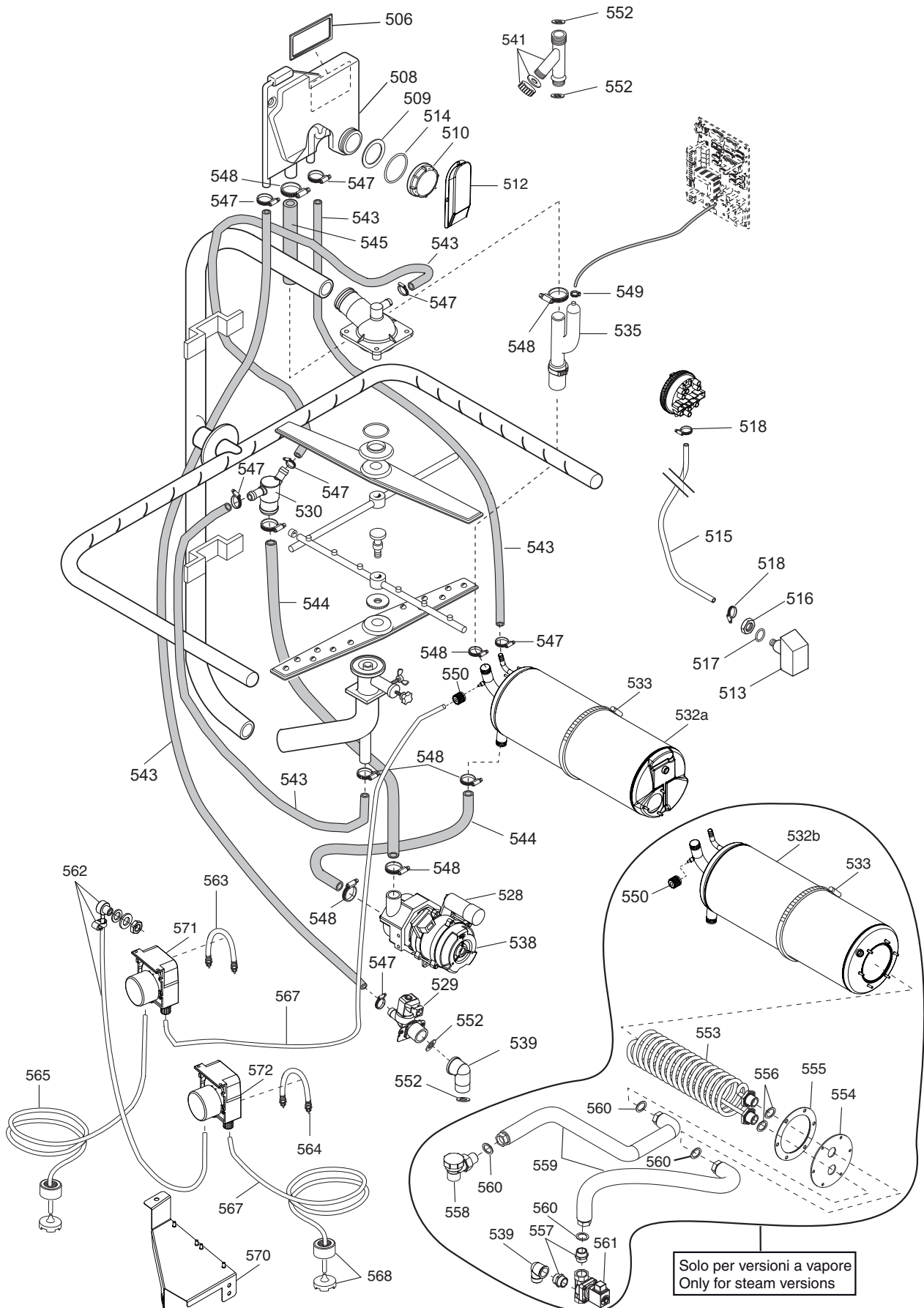
ill. 59566CG00_p3
 Componenti idraulici * / Hydraulic components *



ill. 59566CG00_p4
Componenti idraulici ** / Hydraulic components **



ill. 59566CG00_p3_p4_drain
 Circuito di scarico / Drain circuit



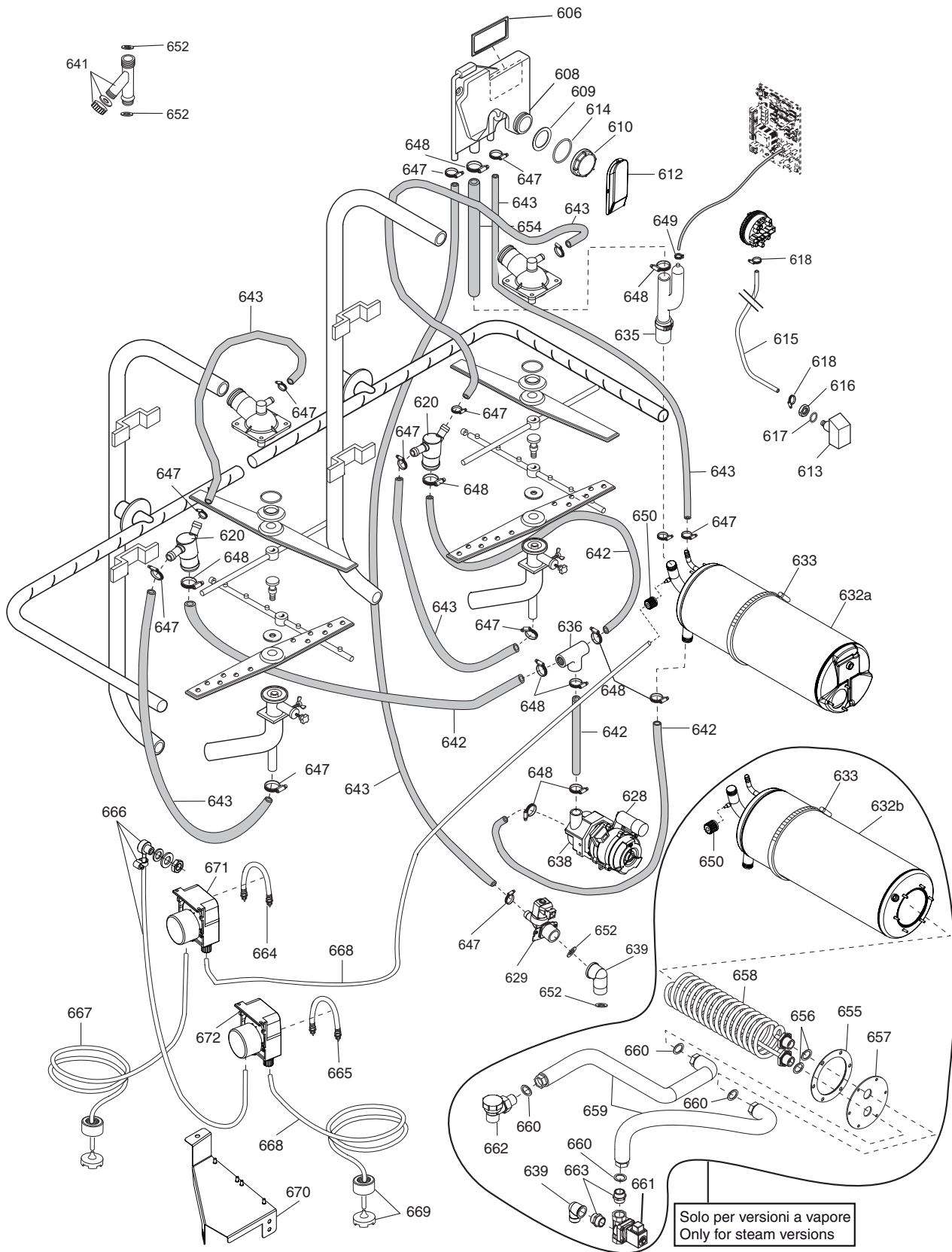
iii. 59566CG00_p5
Circuito idraulico * / Hydraulic circuit *

Da Ser.Nr./From Ser.nr.: 223

Page: 7

Ed.2012-05

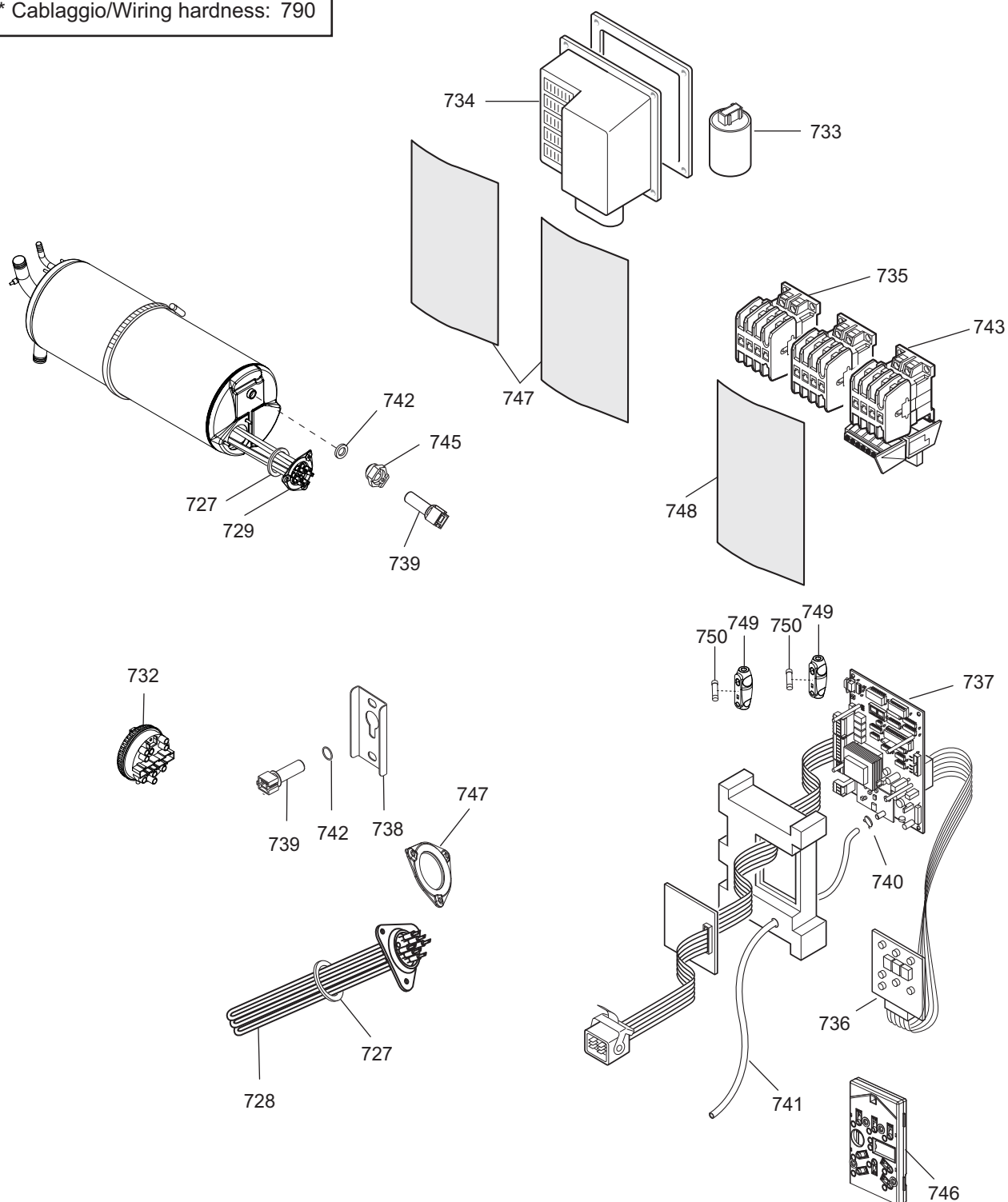
Doc. Nr.: **59566CG00**



iii. 59566CG00_p6
 Circuito idraulico ** / Hydraulic circuit **

Da Ser.Nr./From Ser.nr.: 223

* Cablaggio/Wiring harness: 790



iii. 59566CG00_p7
Componenti elettrici / Electrical components

Da Ser.Nr./From Ser.nr.: 223

Page: 9

Ed.2012-05

Doc. Nr.: **59566CG00**

| LAVAPENTOLE/ POT WASHER: | | ZPPWES / APPWES / EPPWES / ZPPWEH / APPWEH / EPPWEH / ZPPWSSG / ZPPWEL / APPWEL / EPPWEL / ZPPWSLG | | Grassetto = variazioni Bold Print = changes |
|-----------------------------|----------------------|---|--------------------------------|--|
| Pos. | Cod.ric. Part No. | Descrizione | Description | Note / Notes |
| | | Pagina 2: Vista generale | Page 2: Main view | III. 59566CG00_p1 |
| 101 | 048579 | Piede; compl. | Foot; compl. | m,n,r,x |
| 102 | 049658 | Pannello laterale; inferiore sx | Side panel; lower, left | |
| 103 | 049659 | Pannello laterale; inferiore dx | Side panel; lower, right | |
| 104 | 049713 | Pannello laterale; superiore sx | Side panel; upper, left | d,r,v |
| 104 | 049660 | Pannello laterale; superiore sx | Side panel; upper, left | a,g,m,n,x |
| 105 | 049661 | Pannello laterale; superiore dx | Side panel; upper, right | a,g,m,n,x |
| 105 | 049714 | Pannello laterale; superiore dx | Side panel; upper, right | d,r,v |
| 106 | 049657 | Pannello frontale | Front panel | a,d,g,m,n,r,v,x |
| 107 | 0L2020 | Pannello comandi | Control panel | a,d,g,m,n,r,v,x |
| 108 | 0L1673 | Membrana adesiva | Stick membrane | m,n,r |
| 108 | 0L1681 | Membrana adesiva | Stick membrane | v,x |
| 108 | 0L1676 | Membrana adesiva | Stick membrane | a,d,g |
| 109 | 0L2022 | Schienale | Back panel | a,g,n,m,x |
| 109 | 0L2126 | Schienale | Back panel | d,r,v |
| 110 | 049663 | Coperchio | Cover | |
| 111 | 0L0135 | Frangiflutti | Splashguard | |
| 112 | 0L0632 | Boccola | Bush | |
| 121 | 049673 | Filtro piano | Filter plate | |
| 122 | 049674 | Filtro | Filter | |
| 123 | 0E5183 | Filtro; cestello | Filter; basket | |
| 124 | 075690 | Porta teglie | Tray support | |
| 125 | 049664 | Cesto | Basket | |
| 126 | 049692 | Ruota | Wheel | |
| 127 | 049689 | Protezione pompa; dx,compl. | Pump protection; right, compl. | |
| 133 | 0L0141 | Porta; superiore; compl. | Door; upper; compl. | a,g,m,n,x |
| 133 | 0L0142 | Porta; superiore; compl | Door; upper; compl. | d,r,v |
| 134 | 049672 | Perno | Pin | |
| 135 | 0L2650 | Porta | Door | |
| 138 | 0L1001 | Magnete | Magnet | |
| 139 | 0L2599 | Squadretta | Square | |
| 140 | 049621 | Sensore | Sensor | |
| 142 | 049680 | Guida cesto dx; compl. | Guide right; compl. | |
| 142 | 049681 | Guida cesto sx; compl. | Guide left; compl. | |
| 149 | 0L2624 | Ass.me guida dx;PW1H | Right assembly guide ;PW1H | d,r,v |
| 149 | 0L2623 | Ass.me guida sx;PW1H | Left assembly guide;PW1H | d,r,v |
| 149 | 0L2617 | Ass.me guida dx;PW1 | Right assembly guide;PW1 | a,g,m,n,x |
| 149 | 0L2616 | Ass.me guida sx;PW1 | Left assembly guide;PW1 | a,g,m,n,x |
| 150 | 0L2748 | Perno | Pin | |
| 151 | 0L2620 | Fermo porta dx; compl | Right door-stop; compl. | |
| 151 | 0L2619 | Fermo porta sx; compl | Left door-stop; compl. | |
| 152 | 0E5063 | Dado M8 | Nut M8 | |
| 153 | 0L2609 | Guida porta sx | Left door drive | |
| 153 | 0L2610 | Guida porta dx | Right door drive | |

| LAVAPENTOLE/ POT WASHER: | | ZPPWES / APPWES / EPPWES / ZPPWEH / APPWEH / EPPWEH / ZPPWSSG / ZPPWEL / APPWEL / EPPWEL / ZPPWSLG | Grassetto = variazioni Bold Print = changes | |
|-----------------------------|----------------------|---|--|--------------------------|
| Pos. | Cod.ric. Part No. | Descrizione | Description | Note / Notes |
| 154 | 0L2746 | Leva porta lunga | Long door lever | d,r,v |
| 154 | 0L2745 | Leva porta corta | Short door lever | a,g,m,n,x |
| 155 | 0L2618 | Tirante per porta | Door drawrod | a,g,m,n,x |
| 155 | 0L2625 | Tirante per porta | Door drawrod | d,r,v |
| 157 | 049868 | Paraspruzzi | Splashguard | |
| 158 | 0L2024 | Assieme appendice WRC | WRC air outlet assembly | a,d,g,m,n,r,v,x |
| 160 | 0L2608 | Supporto guida scorrevole SX | Left sliding drive support | |
| 160 | 0L2611 | Supporto guida scorrevole DX | Right sliding drive support | |
| 161 | 0L2604 | Labirinto guida porta | Door drive labyrinth | |
| 162 | 0L2605 | Chiavistello sinistro blocco porta | Left door locking latch | |
| 162 | 0L2606 | Chiavistello destro blocco porta | Right door locking latch | |
| 164 | 0L2607 | Ammortizzatore idraulico | Hydraulic damper | a,g,m,n,x |
| 164 | 0L2747 | Ammortizzatore idraulico | Hydraulic damper | d,r,v |
| 165 | 0L2614 | Perno attacco ammortizzatore | Damper connection pin | |
| 166 | 0L2615 | Supporto attacco ammortizzatore | Damper connection support | |
| 167 | 0L2626 | Piastrina | Plate | |
| 168 | 0L2602 | Rondella | Washer | |
| | | Pagina 3: Vista generale | Page 3: Main view | ill. 59566CG00_p2 |
| 201 | 0L0194 | Piede; compl. | Foot; compl. | Not for: "c,p,q" |
| 201 | 048579 | Piede; compl. | Foot; compl. | c,p,q |
| 202 | 049658 | Pannello laterale; inferiore sx | Side panel; lower, left | |
| 203 | 049659 | Pannello laterale; inferiore dx | Side panel; lower, right | |
| 204 | 049660 | Pannello laterale; superiore sx | Side panel; upper, left | |
| 205 | 049661 | Pannello laterale; superiore dx | Side panel; upper, right | |
| 206 | 049705 | Pannello frontale | Front panel | SX,PW2 |
| 207 | 0L2020 | Pannello comandi | Control panel | c,e,h,p,q,w |
| 208 | 0L1681 | Membrana adesiva | Stick membrane | c |
| 208 | 0L1673 | Membrana adesiva | Stick membrane | p,q |
| 208 | 0L1676 | Membrana adesiva | Stick membrane | e,h |
| 209 | 0L2027 | Schienale;SX | Back; Left | |
| 209 | 0L2026 | Schienale;DX | Back; Right | c,e,h,p,q |
| 210 | 049708 | Coperchio | Cover | |
| 211 | 0L0136 | Frangiflutti | Splashguard | |
| 212 | 0L0632 | Boccola | Bush | |
| 221 | 049699 | Filtro piano | Filter plate | |
| 222 | 049700 | Filtro | Filter | |
| 223 | 0E5183 | Filtro; cestello | Filter; basket | |
| 224 | 075690 | Portateglie | Tray support | |
| 225 | 049709 | Cesto | Basket | |
| 226 | 049692 | Ruota | Wheel | |
| 227 | 049689 | Protezione pompa; dx,compl. | Pomp protection; right, compl. | |
| 228 | 049701 | Protezione pompa; Sx,compl. | Pomp protection; left, compl. | |

| LAVAPENTOLE/ POT WASHER: | | ZPPWES / APPWES / EPPWES / ZPPWEH / APPWEH / EPPWEH / ZPPWSSG / ZPPWEL / APPWEL / EPPWEL / ZPPWSLG | Grassetto = variazioni Bold Print = changes | |
|-----------------------------|----------------------|---|--|--------------------------|
| Pos. | Cod.ric. Part No. | Descrizione | Description | Note / Notes |
| 233 | 0L0143 | Porta; superiore; compl. | Door; upper; compl. | |
| 234 | 049672 | Perno | Pin | |
| 235 | 0L2603 | Porta; compl | Door; compl. | |
| 238 | 0L1001 | Magnete | Magnet | |
| 239 | 0L0380 | Squadretta | Square | |
| 240 | 049621 | Sensore | Sensor | |
| 242 | 049680 | Guida cesto dx; compl. | Guide right; compl. | |
| 242 | 049681 | Guida cesto sx; compl. | Guide left; compl. | |
| 249 | 0L2617 | Ass.me guida dx;PW2 | Right assembly guide; PW2 | |
| 249 | 0L2616 | Ass.me guida sx;PW2 | Left assembly guide; PW2 | |
| 250 | 0L2748 | Perno | Pin | |
| 251 | 0L2620 | Fermo porta dx; compl | Right door-stop; compl. | |
| 251 | 0L2619 | Fermo porta sx; compl | Left door-stop; compl. | |
| 252 | 0E5063 | Dado M8 | Nut M8 | |
| 253 | 0L2609 | Guida porta sx | Left door drive | |
| 253 | 0L2610 | Guida porta dx | Right door drive | |
| 254 | 0L2745 | Leva porta corta | Short door lever | |
| 255 | 0L2618 | Tirante per porta | Tie-rod | |
| 257 | 049867 | Paraspruzzi | Splashguard | |
| 258 | 0L2024 | Assieme appendice WRC | WRC air inlet assembly | c,e,h,p,q |
| 260 | 0L2608 | Supporto guida scorrevole SX | Left sliding drive support | |
| 260 | 0L2611 | Supporto guida scorrevole DX | Right sliding drive support | |
| 261 | 0L2604 | Labirinto guida porta | Door drive labyrinth | |
| 262 | 0L2605 | Chiavistello sinistro blocco porta | Left door locking latch | |
| 262 | 0L2606 | Chiavistello destro blocco porta | Right door locking latch | |
| 264 | 0L2607 | Ammortizzatore idraulico | Hydraulic damper | |
| 265 | 0L2614 | Perno attacco ammortizzatore | Damper connection pin | |
| 266 | 0L2615 | Supporto attacco ammortizzatore | Damper connection support | |
| 267 | 0L2626 | Piastrina | Plate | |
| 268 | 0L2602 | Rondella | Washer | |
| | | Pagina 4: Componenti idraulici | Page 4: Hydraulic components | ill. 59566CG00_p3 |
| 300 | 049726 | Raccordo 3 vie; | Connection 3 way; | |
| 301 | 049695 | Supporto getti inferiore; DX | Jets support; lower, Right | |
| 316 | 049669 | Pompa lavaggio; 230-400V 50HZ | Wash pump; 230-400V 50HZ | a,d,g,m,r,v,x |
| 316 | 049716 | Pompa lavaggio 230-400V 60Hz | Wash pump 230-400V 60Hz | n |
| 320 | 0E5642 | Manopola | Knob | |
| 321 | 0E5643 | Guida | Guide | |
| 322 | 049676 | Guarnizione | Gasket | |
| 323 | 0E5645 | Riduttore portata | Bar | |
| 324 | 0L0621 | Tube; collegamento getti | Pipe; jets connection | d,r,v |
| 324 | 0L0620 | Tube; collegamento getti | Pipe; jets connection | a,g,m,n,x |
| 325 | 0L0695 | Supporto getti superiore | Jets support; upper | |

| LAVAPENTOLE/ POT WASHER: | | ZPPWES / APPWES / EPPWES / ZPPWEH / APPWEH / EPPWEH / ZPPWSSG / ZPPWEL / APPWEL / EPPWEL / ZPPWSLG | Grassetto = variazioni Bold Print = changes | |
|-----------------------------|----------------------|---|--|--------------------------|
| Pos. | Cod.ric. Part No. | Descrizione | Description | Note / Notes |
| 326 | 049694 | Attacco | Attack | |
| 328 | 049691 | Rampe laterali; compl. | Lateral ramp | |
| 329 | 0E5227 | Tappo 1/2 MSG | Plug 1/2 MSG | |
| 330 | 0E5118 | OR 17,3X2,4 | O-Ring 17,3X2,4 | |
| 342 | 048401 | Mozzo | Hub | |
| 343 | 0L0389 | Getto lavaggio | Wash jet | |
| 344 | 0E5640 | Getto risciacquo | Rinse jet | |
| 345 | 0E5639 | Tappo | Plug | |
| 346 | 0E5107 | Ugello 9506 | Nozzle 9506 | |
| 347 | 048290 | Perno; per getti risciaquo | Pin; for rinse jets | |
| 348 | 048632 | Rondella | Washer | |
| 349 | 0L0193 | Fascetta 40-60 | Hose clamp 40-60 | |
| 350 | 046853 | Fascetta 68-85 | Hose clamp 68-85 | |
| 351 | 046565 | Tube gomma; 65X75 | Hose; 65x75 | |
| 352 | 045768 | Tube gomma; 45X55 | Hose; 45x55 | |
| | | Pagina 5: Componenti idraulici | Page 5: Hydraulic components | ill. 59566CG00_p4 |
| 400 | 049726 | Raccordo 3 vie | Connection 3 way | |
| 401 | 049695 | Supporto getti inferiore; DX | Jets support; lower, Right | |
| 402 | 049704 | Supporto getti inferiore; SX | Jets support; lower, Left | |
| 416 | 049669 | Pompa lavaggio; 230-400V 50HZ | Wash pump; 230-400V 3X 50HZ | c,e,h,p |
| 416 | 049716 | Pompa lavaggio; 230-400V 60Hz | Wash pump; 230-400V 3X 60Hz | q |
| 420 | 0E5642 | Manopola | Knob | |
| 421 | 0E5643 | Guida | Guide | |
| 422 | 049676 | Guarnizione | Gasket | |
| 423 | 0E5645 | Riduttore portata | Bar | |
| 424 | 0L0620 | Tube; collegamento getti | Pipe; jets connection | |
| 425 | 0L0695 | Supporto getti superiore | Jets support; upper | |
| 426 | 049694 | Attacco | Attack | |
| 427 | 049703 | Rampe laterali;DX, compl. | Lateral ramp; Right | |
| 428 | 049702 | Rampe laterali;SX, compl. | Lateral ramp; Left | |
| 429 | 0E5227 | Tappo 1/2 MSG | Plug 1/2 MSG | |
| 430 | 0E5118 | OR 17,3X2,4 | O-Ring 17,3X2,4 | |
| 442 | 048401 | Mozzo | Hub | |
| 443 | 0L0389 | Getto lavaggio | Wash jet | |
| 444 | 0E5640 | Getto risciacquo | Rinse jet | |
| 445 | 0E5639 | Tappo | Plug | |
| 446 | 0E5107 | Ugello 9506 | Nozzle 9506 | |
| 447 | 048290 | Perno; per getti risciaquo | Pin; for rinse jets | |
| 448 | 048632 | Rondella | Washer | |
| 449 | 0L0193 | Fascetta 40-60 | Hose clamp 40-60 | |
| 450 | 046853 | Fascetta 68-85 | Hose clamp 68-85 | |
| 451 | 046565 | Tube gomma; 65X75 | Hose; 65x75 | |

| LAVAPENTOLE/ POT WASHER: | | ZPPWES / APPWES / EPPWES / ZPPWEH / APPWEH / EPPWEH / ZPPWSSG / ZPPWEL / APPWEL / EPPWEL / ZPPWSLG | Grassetto = variazioni Bold Print = changes | |
|-----------------------------|----------------------|---|--|-----------------------------------|
| Pos. | Cod.ric. Part No. | Descrizione | Description | Note / Notes |
| 452 | 045768 | Tubo gomma; 45X55 | Hose45x55 | |
| 453 | 0L2358 | Serpentina vapore | Steam coil | |
| 454 | 0L0179 | Guarnizione in rame | Copper gasket | |
| 455 | 0L1603 | Tubo | Hose | |
| 456 | 0H2583 | Raccordo | Fitting | |
| 457 | 0L2236 | Guarnizione | Gasket | |
| 458 | 072457 | Nipplo 3/4"-3/4" | Nipple 3/4"-3/4" | |
| 459 | 0L1482 | Elettrovalvola vapore | Steam solenoid valve | |
| 460 | 0E0153 | Scaricatore di condensa | Steam drain | |
| 461 | 0L0262 | Nipplo M3/4"-F1/2" | Nipple M3/4"-F1/2" | |
| | | Pagina 6: Circuito idraulico | Page 6: Hydraulic circuit | ill. 59566CG00_p3_p4_drain |
| 801 | 0L2729 | Valvola di sfiato | Vent valve | |
| 802 | 047578 | Fascetta | Hose clamp | 25-40/9 |
| 803 | 0L2730 | Tubo di mandata | Delivery hose | |
| 804 | 0L2739 | Tubo di scarico | Drain pipe | |
| 805 | 0L2743 | Filtro fondo vasca | Tank bottom filter | |
| 806 | 0L2734 | Raccordo di scarico M | Drain fitting M | 1 1/2" G |
| 807 | 065506 | O-ring 3,53X42,86 | O-ring 3,53X42,86 | |
| 808 | 066079 | Ghiera fissaggio piletta | Drain nut | |
| 809 | 0L2728 | Fascetta (Inox) | Hose clamp (stainless steel) | 25-40/9 |
| 810 | 049773 | Tubo 26X37 | Pipe 26X37 | 74 mm |
| 811 | 0L2733 | Collettore di scarico | Drain collector | |
| 812 | 0L2738 | O-ring 34.6X2.62 | O-ring 34.6X2.62 | |
| 813 | 0L2735 | Tappo collettore | Collector plug | 1" G |
| 814 | 0L2731 | Copertura scarico | Drain cover | |
| 815 | 0L2732 | Supporto pompa scarico | Drain pump support | |
| 816 | 0L2740 | Pompa scarico | Drain pump | 50 Hz |
| 816 | 0L2741 | Pompa scarico | Drain pump | 60 Hz |
| 817 | 0L2649 | Fascetta (Inox) | Hose clamp (stainless steel) | 38-50/9 |
| 818 | 0L0759 | Manicotto | Manifold | |
| | | Pagina 7: Circuito idraulico | Page 7: Hydraulic circuit | ill. 59566CG00_p5 |
| 506 | 0L0413 | Guarnizione WRC | WRC Sealing | |
| 508 | 049481 | Salto in aria; WRC | AIR GAP | a,d,g,m,n,r,v,x |
| 509 | 049828 | Guarnizione | Gasket | |
| 510 | 049480 | Ghiera | Ring nut | |
| 512 | 0L2560 | Protezione ghiera | Guard ring nut | |
| 513 | 048308 | Trappola d'aria | Air trap | |
| 514 | 049460 | O ring | O Ring | |
| 515 | 048883 | Tubo 5x12 gomma | Hose; 5x12 | |
| 516 | 049268 | Dado M14x1.5 | Nut; M14x1,5 | |

| LAVAPENTOLE/ POT WASHER: | | ZPPWES / APPWES / EPPWES / ZPPWEH / APPWEH / EPPWEH / ZPPWSSG / ZPPWEL / APPWEL / EPPWEL / ZPPWSLG | Grassetto = variazioni Bold Print = changes | |
|-----------------------------|----------------------|---|--|--------------------------|
| Pos. | Cod.ric. Part No. | Descrizione | Description | Note / Notes |
| 517 | 068642 | OR 2062x15.54 | O Ring | |
| 518 | 046946 | Fascetta 8-12 | Clamp 8-12 | |
| 528 | 083406 | Condensatore per pompa risc. | Rinse pump capacitor | 5.0 µF |
| 529 | 0L0567 | Elettrovalvola | Electric valve | a,d,g,m,n,r,v,x |
| 530 | 0L0365 | Raccordo a 3 vie | 3 way connection | |
| 532a | 0L0348 | Boiler | Boiler | Not for "g" |
| 532b | 0L2357 | Boiler vapore | Steam Boiler | g |
| 533 | 048222 | Fascetta 200-231 | Hose clamp 200-231 | |
| 534 | 049859 | Coibentazione boiler | Boiler insulation | |
| 535 | 0L0098 | Trappola d'aria; boiler | Air trap; boiler | |
| 538 | 0L1100 | Pompa risciacquo; 60Hz | Rinse pump; 60Hz | n |
| 538 | 0L1079 | Pompa risciacquo; 50Hz | Rinse pump; 50Hz | a,d,g,m,r,v,x |
| 539 | 049679 | Gomito; 90 GR | Elbow; 90 degr | |
| 541 | 048834 | Filtro | Filter | |
| 543 | 049379 | Tubo 19,5x12 | Hose 19,5x12 | |
| 544 | 049773 | Tubo 26x38 | Hose 26x38 | |
| 545 | 049287 | Tubo 25,5x32 | Hose 25,5x32 | |
| 547 | 048126 | Fascetta 13-20 | Hose clamp 13-20 | |
| 548 | 047578 | Fascetta 26-38 | Hose clamp 26-38 | |
| 549 | 0E5993 | Fascetta 7,3-7,8 | Hose clamp 7,3-7,8 | |
| 550 | 0L2071 | Assieme tappo brillantante | Rinse aid plug assembly | |
| 552 | 049201 | Guarnizione | Gasket | |
| 553 | 0E5359 | Serpentina vapore | Steam coil | |
| 554 | 0E3085 | Flangia | Flange | |
| 555 | 0H2210 | Guarnizione | Gasket | |
| 556 | 0L0628 | Guarnizione in rame | Copper gasket | |
| 557 | 072457 | Nipplo 3/4"-3/4" | Nipple 3/4"-3/4" | |
| 558 | 0E0153 | Scaricatore di condensa | Steam drain | |
| 559 | 0L1558 | Tubo | Hose | |
| 560 | 0L2236 | Guarnizione | Gasket | |
| 561 | 0L1482 | Elettrovalvola vapore | Steam solenoid valve | |
| 562 | 0L2758 | Iniettore deterg. + fascetta + tubo | Detergent injector + clamp + pipe | 40 mm (tubo/pipe) |
| 563 | 049418 | Tubo interno pompa brillantante | Rinse aid dispenser hose | |
| 564 | 049419 | Tubo interno pompa detergente | Detergent dispenser hose | |
| 565 | 0L0481 | Tubo brillantante | Rinse aid pipe | |
| 567 | 0L1163 | Tubo detergente | Detergent pipe | |
| 568 | 0S1028 | Peso in inox con filtro | Inox weight with filter | |
| 570 | 0L2744 | Supporto dosatori/ pressostato | Pressure switch/ dispensers plate | |
| 571 | 0L0696 | Pompetta detergente | Detergent pump | |
| 572 | 0L0697 | Pompetta brillantante | Rinse aid pump | |
| | | Pagina 8: Circuito idraulico | Page 8: Hydraulic circuit | Ill. 59566CG00_p6 |
| 606 | 0L0413 | Guarnizione WRC | WRC Sealing | c,e,h,p,q |

| LAVAPENTOLE/ POT WASHER: | | ZPPWES / APPWES / EPPWES / ZPPWEH / APPWEH / EPPWEH / ZPPWSSG / ZPPWEL / APPWEL / EPPWEL / ZPPWSLG | Grassetto = variazioni Bold Print = changes | |
|-----------------------------|----------------------|---|--|-------------------|
| Pos. | Cod.ric. Part No. | Descrizione | Description | Note / Notes |
| 608 | 049481 | Salto in aria; WRC | AIR GAP | c,e,h,p,q |
| 609 | 049828 | Guarnizione | Gasket | |
| 610 | 049480 | Ghiera | Ring nut | |
| 612 | 0L2560 | Protezione ghiera | Guard ring nut | |
| 613 | 048308 | Trappola d'aria | Air trap | |
| 614 | 049460 | O ring | O Ring | |
| 615 | 048883 | Tube 5x12 gomma | Hose; 5x12 | |
| 616 | 049268 | Dado M14x1.5 | Nut; M14x1,5 | |
| 617 | 068642 | OR 2062x15.54 | O Ring | |
| 618 | 046946 | Fascetta 8-12 | Clamp 8-12 | |
| 620 | 0L0365 | Raccordo a 3 vie | 3 way connection | |
| 628 | 083406 | Condensatore per pompa risc. | Rinse pump capacitor | 5.0 µF |
| 629 | 0L0567 | Elettrovalvola | Electric valve | c,e,h,p,q |
| 632a | 0L0348 | Boiler | Boiler | Not for "h" |
| 632b | 0L2357 | Boiler vapore | Steam Boiler | h |
| 633 | 048222 | Fascetta 200-231 | Hose clamp 200-231 | |
| 634 | 049859 | Coibentazione boiler | Boiler insulation | |
| 635 | 0L0098 | Trappola d'aria; boiler | Air trap; boiler | |
| 636 | 0L0210 | Raccordo a "T" | T connection | |
| 638 | 0L1079 | Pompa risciacquo; 50Hz | Rinse pump; 50Hz | c,e,h,p |
| 638 | 0L1100 | Pompa risciacquo; 60Hz | Rinse pump; 60Hz | q |
| 639 | 049679 | Gomito; 90 GR | Elbow; 90 degr | |
| 641 | 048834 | Filtro | Filter | |
| 642 | 049773 | Tube 25,5X36 | Hose 25,5X36 | |
| 643 | 049379 | Tube 19,5x12 | Hose 19,5x12 | |
| 647 | 048126 | Fascetta 13-20 | Hose clamp 13-20 | |
| 648 | 047578 | Fascetta 26-38 | Hose clamp 26-38 | |
| 649 | 0E5993 | Fascetta 7,3-7,8 | Hose clamp 7,3-7,8 | |
| 650 | 0L2071 | Assieme tappo brillantante | Rinse aid plug assembly | |
| 652 | 049201 | Guarnizione | Gasket | |
| 654 | 049287 | Tube 25,5x32 | Hose 25,5x32 | |
| 655 | 0H2210 | Guarnizione | Gasket | |
| 656 | 0L0628 | Guarnizione in rame | Copper gasket | |
| 657 | 0E3085 | Flangia | Flange | |
| 658 | 0E5359 | Serpentina vapore | Steam coil | |
| 659 | 0L1558 | Tube | Hose | |
| 660 | 0L2236 | Guarnizione | Gasket | |
| 661 | 0L1482 | Elettrovalvola vapore | Steam solenoid valve | |
| 662 | 0E0153 | Scaricatore di condensa | Steam drain | |
| 663 | 072457 | Nipplo 3/4"-3/4" | Nipple 3/4"-3/4" | |
| 664 | 049418 | Tube interno pompa brillantante | Rinse aid dispenser hose | |
| 665 | 049419 | Tube interno pompa detergente | Detergent dispenser hose | |
| 666 | 0L2758 | Iniettore deterg. + fascetta + tubo | Detergent injector + clamp + pipe | 40 mm (tubo/pipe) |
| 667 | 0L0481 | Tube brillantante | Rinse aid pipe | |

| LAVAPENTOLE/ POT WASHER: | | ZPPWES / APPWES / EPPWES / ZPPWEH / APPWEH / EPPWEH / ZPPWSSG / ZPPWEL / APPWEL / EPPWEL / ZPPWSLG | Grassetto = variazioni Bold Print = changes | |
|-----------------------------|----------------------|---|--|--------------------------|
| Pos. | Cod.ric. Part No. | Descrizione | Description | Note / Notes |
| 668 | 0L1163 | Tubo detergente | Detergent pipe | |
| 669 | 0S1028 | Peso in inox con filtro | Inox weight with filter | |
| 670 | 0L2744 | Supporto dosatori/ pressostato | Pressure switch/ dispensers plate | |
| 671 | 0L0697 | Pompetta brillantante | Rinse aid pump | |
| 672 | 0L0696 | Pompetta detergente | Detergent pump | |
| | | Pagina 9: Componenti elettrici | Page 9: Electrical components | ill. 59566CG00_p7 |
| 727 | 0E5037 | OR 56.52X5.33 | OR 56.52X5.33 | |
| 728 | 0L2766 | Resistenza.; 230V; 7kw | Heating element;230V, 7kw | a,d,g,m,n,r,v,x |
| 728 | 0L2727 | Resistenza; 230V, 10,5kw | Heating element; 230v, 10,5kw | c,e,p,q |
| 729 | 0L2727 | Resistenza; 230V, 10,5kw | Heating element; 230v, 10,5kw | |
| 732 | 0L2742 | Pressostato | Pressure switch | |
| 733 | 049303 | Filtro RFI; trifase | RFI filter; three phase | |
| 734 | 0L0111 | Morsettiera | Junction box | |
| 735 | 0L0285 | Contattore; 230V, 50HZ, 25A | Contactor; 230V, 50Hz, 25A | a,c,d,e,g,m,p,r,v,x |
| 735 | 0L0286 | Contattore; 230V, 60HZ, 25A | Contactor; 230V,60Hz, 25A | n,q |
| 736 | 0L1973 | Interfaccia utente | User interface | |
| 737 | 0L2583 | Scheda madre | Main board | |
| 738 | 0L0366 | Supporto; sonda di temp. | Support; temp.sound | |
| 739 | 049643 | Sonda di temperatura | Temp.sound | |
| 740 | 0E5993 | Fascetta elastica 7,8-8,3 | Hose clamp 7,8-8,3 | |
| 741 | 072393 | Tubo gomma; L=2100 MM | Hose | |
| 742 | 046376 | OR 2037 | O Ring | |
| 743 | 0E0178 | Protezione | Motor protection | |
| 745 | 0L0280 | Premistoppa | Stuffing box | |
| 746 | 0L1568 | Copertura interfaccia utente | User interface cover | |
| 747 | 0L2751 | Protezione morsettiera | Junction box protection | |
| 748 | 0L2752 | Protezione pannello elettrico | Electrical panel protection | |
| 749 | 091981 | Portafusibile | Fuse holder | |
| 750 | 0L1295 | Fusibile 5X20 T10AL | Fuse 5X20 T10AL | |
| 790 | 0L2497 | Cablaggio | Wiring harness | |
| 790 | 049870 | Cablaggio aggiuntivo | Additional wiring harness | Only for "c,e,h,p,q" |
| 790 | 0L2496 | Cablaggio | Wiring harness | g,h |