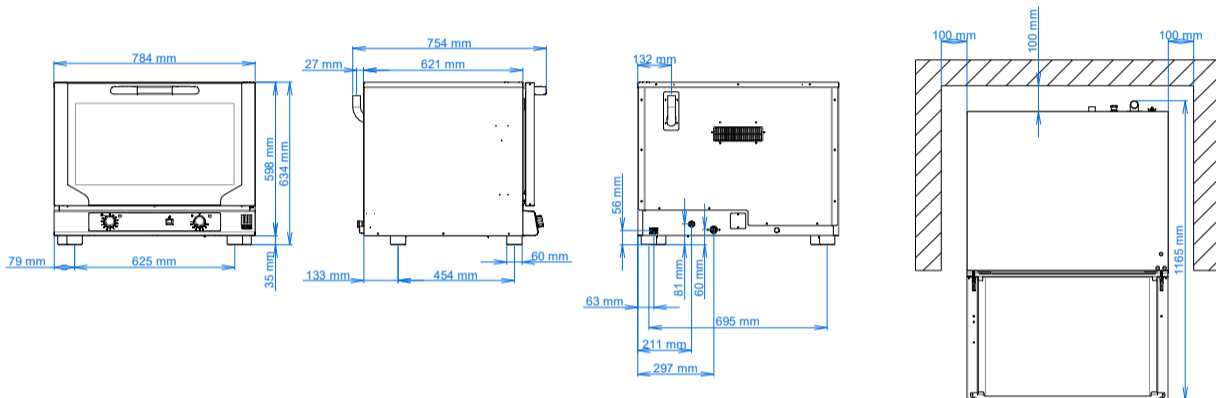


EKF 411 N



ELECTRIC CONVECTION OVEN WITH INDIRECT STEAM

Use: Gastronomy



DIMENSIONAL FEATURES

Oven dimensions (WxDxH mm)	784	754	634
Oven weight (kg)	50,4		
Distance between rack rails (mm)	73		

ELECTRICAL FEATURES

Power supply (kW)	3,4
Frequency (Hz)	50/60
Voltage (Volt)	AC 220/230
N° of motors	2 Unidirectionals
Boiler	/
Protection against water	IPX3

FUNCTIONAL FEATURES

Power	Electricity
Capacity	N° 4 trays/grids 1/1 GN
Type of cooking	Ventilated
Steam	Indirect with button
Cooking chamber	AISI 430 Stainless steel
Temperature	100 - 260 °C
Temperature control	Thermostat
Control panel	Electromechanic - Lower side
N° of programs	/
Programmable cooking steps	/
Pre-heating temperature	/
Pre-heating function	/
Door	Tilt door Ventilated Inspectionable glass
Modularity	Available

EQUIPMENT

Cardboard box dimensions (WxDxH mm)	805	830	800
Lateral supports	1 right + 1 left		
Cable	Single-phase [3G 1,5] - L=1600 mm		