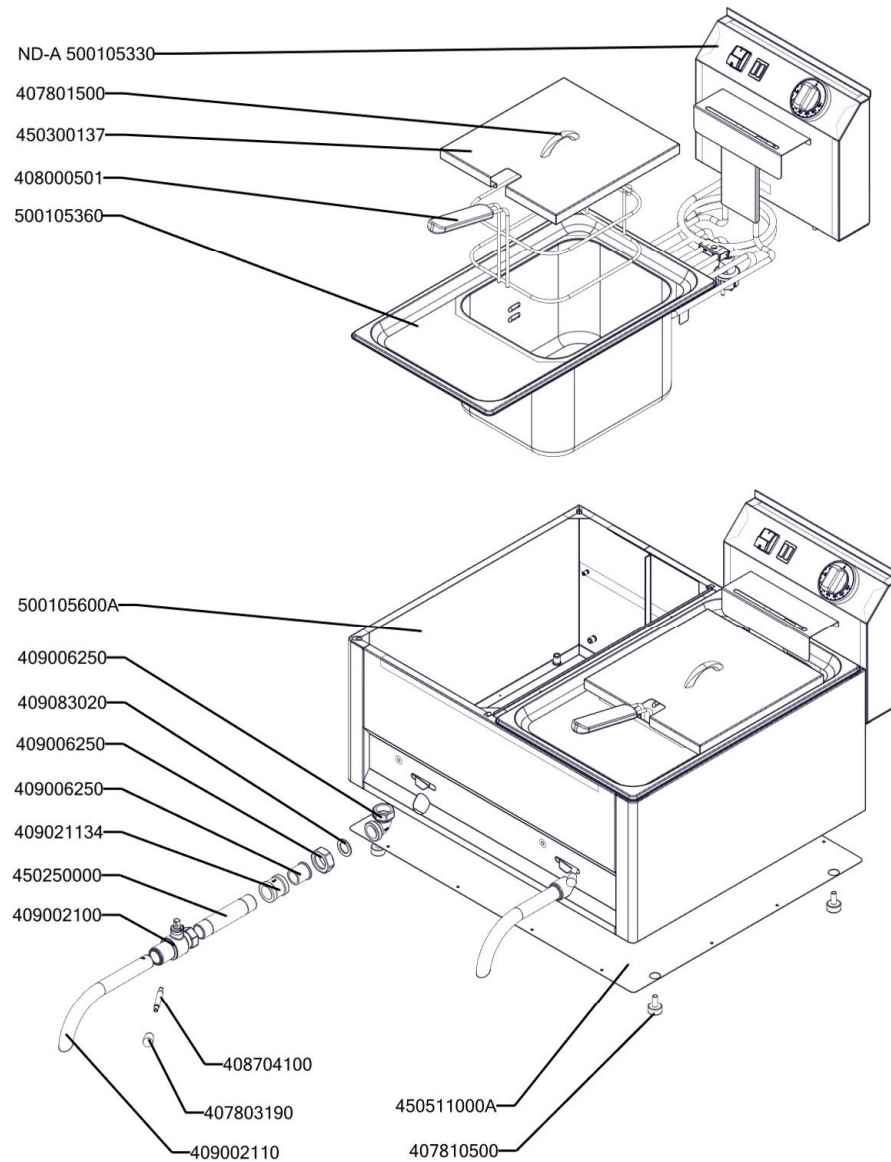
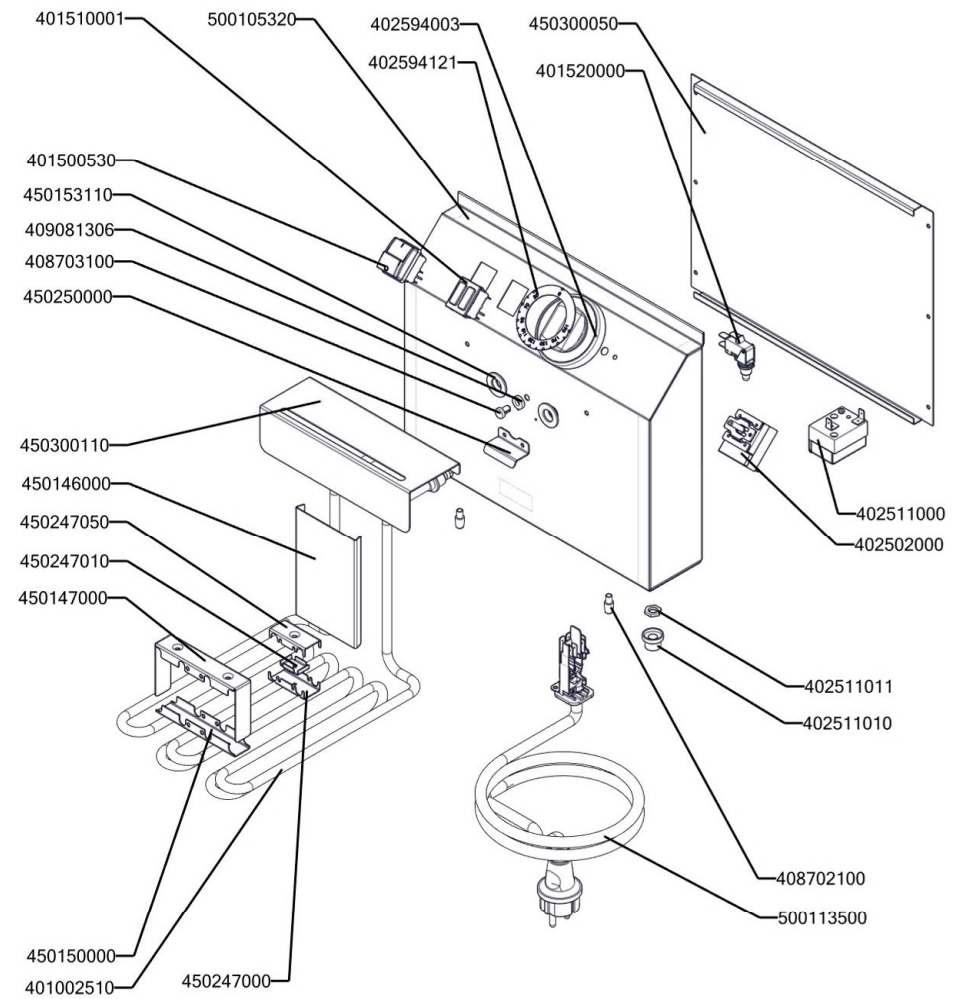


Exploded view FE - 60 EL



Expoded view ND-A 500105330



Valid since 9.8.2013

Valid since 9.8.2013