

Drawing



Hendi B.V.
Steenoven 21
3911 TX Rhenen
The Netherlands

Batch #

902691 and up

Appliance part#

239711

Description

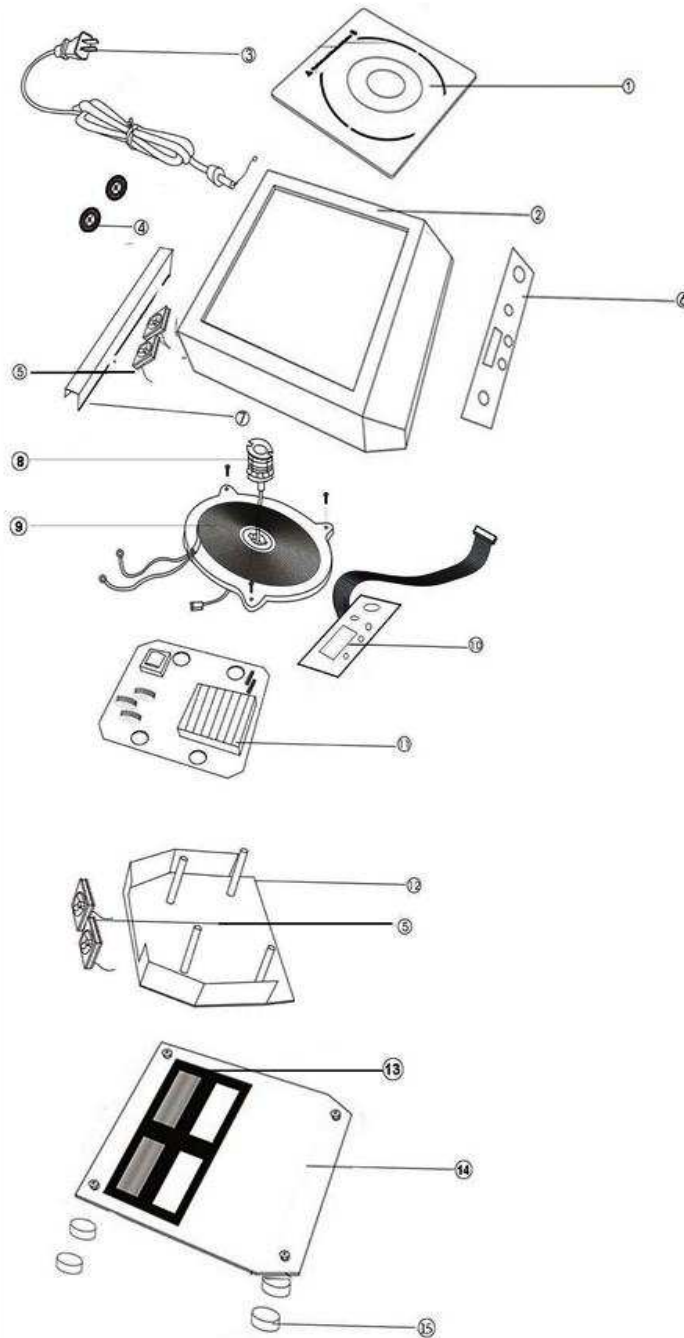
Induction cooker 3500W

Date 30-10-2012


Revision #

Revision version 1.2

Revision Newer version main pcb and control pcb



Bill of materials (BOM)

 Hendi B.V. Steenoven 21 3911 TX Rhenen The Netherlands	Batch #	Appliance part#
	902691 and up	239711
	Description	
Induction cooker 3500W		


Date	30-10-2012	Revision #	Revision version 1.2
Revision	Newer version main pcb and control pcb		

Item	Description	Part#	Quantity	Remark	Picture
1	Glass plate	nss	1	Available as 901342	
2	Upper housing	901342	1	Incl item 1	
3	Power cord	929353	1		
4	Cover fan	n/a	2		
5	Fan 18V	901441	4		
6	Display sticker	901397	1		
7	Bracket	n/a	1		
8	Sensor	929742	1		
9	Main coil	901380	1		
10	Control pcb	901267	1		
11	Main pcb	901250	1		
12	Plastic bracket	n/a	1		
13	Filter	929759	1		
14	Bottom cover	n/a	1		
15	Feet	901373	4		

n/a -> not available

nss -> not sold separately

Wiring diagram

 <p>Hendi B.V. Steenoven 21 3911 TX Rhenen The Netherlands</p>	Batch #	Appliance part#
	902691 and up	239711
	Description	
	Induction cooker 3500W	

Date	30-10-2012	Revision #	Revision version 1.2
Revision	Newer version main pcb and control pcb		

