



## ICE-CREAM DISPENSER Series W-DL

Ice-cream dispenser is designed for best possible displaying and effortless selling of ice-creams. W-12 DL provides optimal conditions to keep ice-creams for a sellinf period. The distributor consists of upper - exposure part and lower compressor part. W-12 DL is equipped with 12 containers with dimensions of 360 x 165 and a depth of 120 or 150 mm. Side glasses and the front glass are electrically heated in order to avoid frosting. Glass heaters are supplied with 24V safe voltage and are handling-free. Every device is equipped with world-class energy-efficient and reliable units.



### DETAILS



### INSTALLATION CHARACTERISTICS

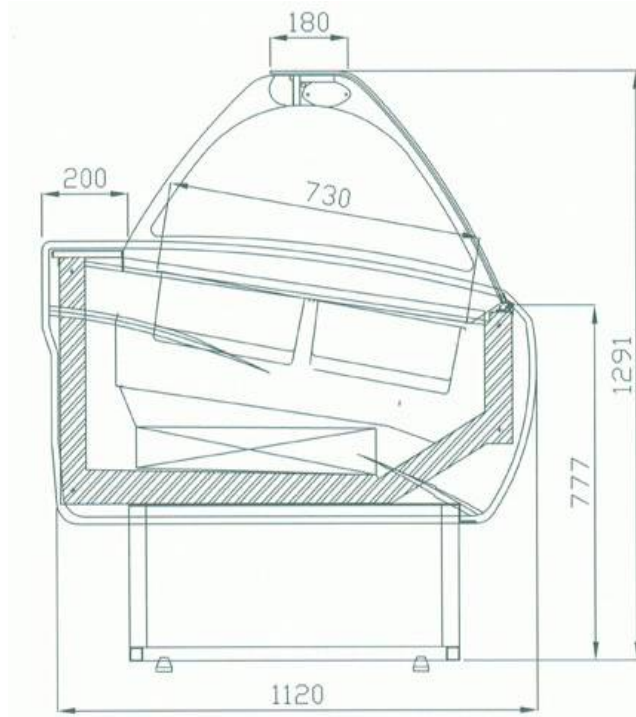
<b>Cooling</b>	- dynamic cooling
<b>Condensing unit</b>	- ASPERA
<b>Refrigerant</b>	- R 507
<b>Voltage rating</b>	- 230V 50Hz
<b>Temperature range</b>	- -8 °C do -17°C ( if surrouniiing temp. is 25C and relative humidity is 60%)
<b>Defrost</b>	- <b>automatic</b>
<b>Heated glasses:</b>	- Frontal and side
<b>Desforst water removal</b>	- <b>automatic.</b>
<b>Illmination</b>	

Optional: LED illumination

Metal construction color finish : silver or gold



## TECHNICAL DRAWING



Counter symbol	Overall length [mm]	Exposition area [m <sup>2</sup> ]	Useful capacity [dm <sup>3</sup> ]	Rated refrigerating Capacity [W]	Equipment mass[kg]
<b>W-12-DL</b>	1160	0,78	12x5,2L	1150	-
Rated refrigerating capacity for t <sub>0</sub> = - 15 ° C					

## COLORS OF INTERIOR FINISHING

Sample colors Corps counters:



## GALLERY



