



Electrolux

Modular Cooking Range Line 900XP 2 Drawer Refrigerated Base

ITEM # _____

MODEL # _____

NAME # _____

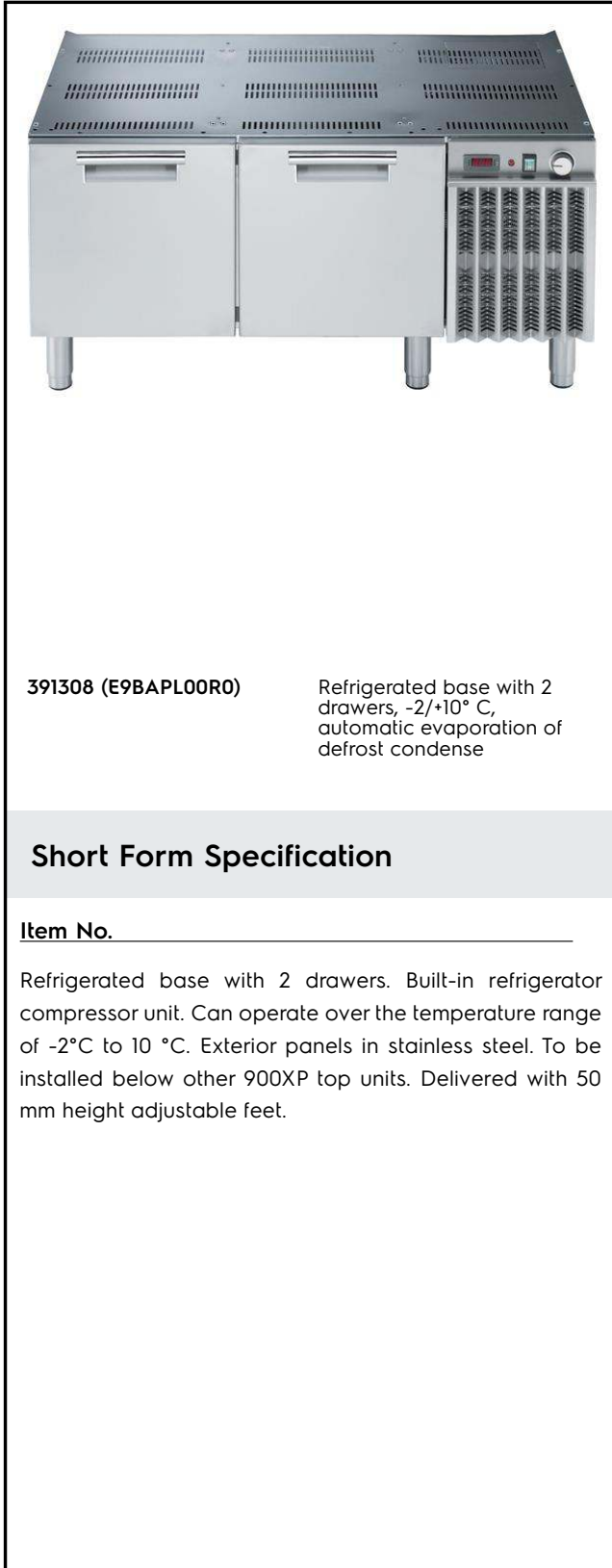
SIS # _____

AIA # _____



Electrolux

Modular Cooking Range Line
900XP 2 Drawer Refrigerated Base



391308 (E9BAPL00R0)

Refrigerated base with 2 drawers, -2/+10° C, automatic evaporation of defrost condensate

Short Form Specification

Item No. _____
Refrigerated base with 2 drawers. Built-in refrigerator compressor unit. Can operate over the temperature range of -2°C to 10 °C. Exterior panels in stainless steel. To be installed below other 900XP top units. Delivered with 50 mm height adjustable feet.

Main Features

- Unit can be easily installed below other 900 line top models.
- Unit delivered with 50 mm height adjustable feet in Stainless steel.
- Adjustable temperature range from -2 °C to +10 °C to suit meat, fish and dairy storage requirements.
- Forced air circulation for rapid cooling and an even temperature distribution.
- Defrosting and automatic evaporation of condensate drain: the condensate is automatically evaporated thanks to the electric resistance in the condensate drain container.
- GN compliant.
- Designed for modular installation into the cooking block.

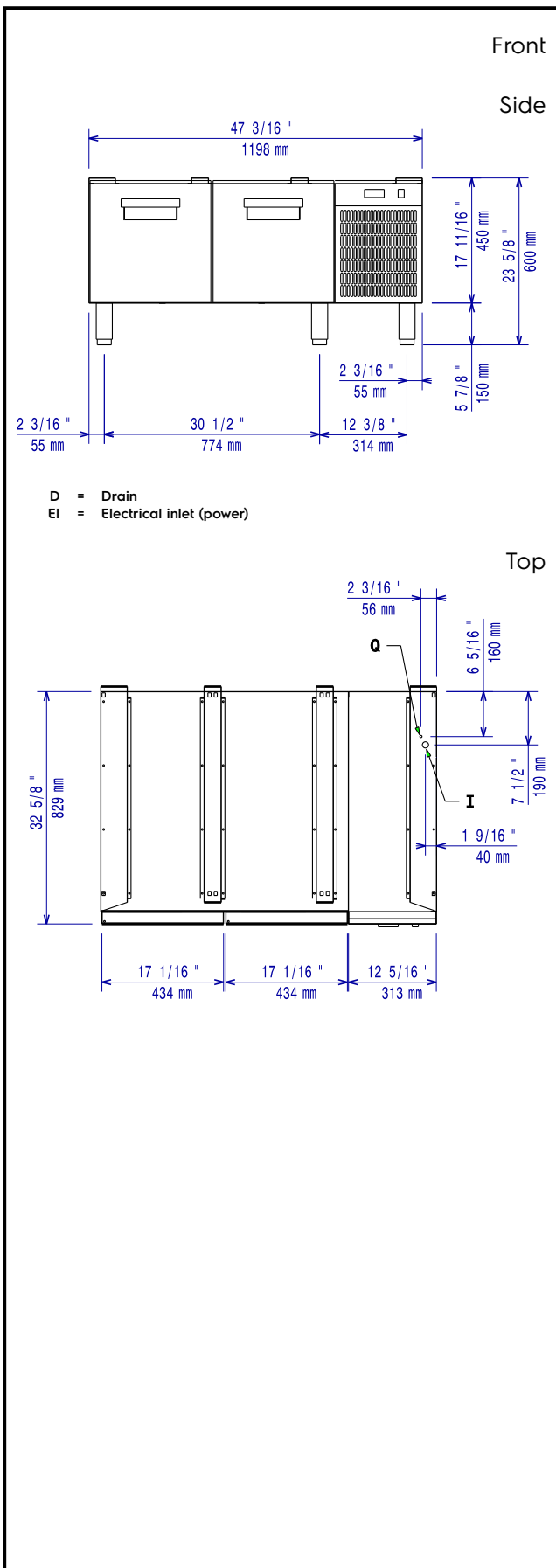
Construction

- Constructed in Stainless steel with Scotch Brite finish to meet the highest hygiene standards.
- Built-in compressor to suit operating conditions.
- Access to all components from the front.
- CFC free (ecological refrigerant type: R404a, - gas in foam: cyclopentane).

Optional Accessories

- Flanged feet kit PNC 206136
- Frontal kicking strip for concrete installation, 1200mm PNC 206151
- Frontal kicking strip for concrete installation, 1600mm PNC 206152
- Frontal kicking strip, 1200mm (not for refr-freezer base) PNC 206178
- Frontal kicking strip, 1600mm (not for refr-freezer base) PNC 206179
- Rear paneling - 1200mm PNC 206376
- Kit 3 base support for wheels PNC 206430
- Kit 6 wheels - 3 swivelling with brake PNC 206432

APPROVAL: _____



Electric

Supply voltage:	391308 (E9BAPL00R0)	230 V/1N ph/50 Hz
Electrical power max.:		0.4 kW
Total Watts:		0.4 kW
Predisposed for:		

Key Information:

Gross capacity:	225 lt
External dimensions, Width:	1200 mm
External dimensions, Height:	600 mm
External dimensions, Depth:	830 mm
Net weight:	114 kg
Shipping weight:	122 kg
Shipping height:	830 mm
Shipping width:	1060 mm
Shipping depth:	1300 mm
Shipping volume:	1.14 m ³

Refrigeration Data

Compressor power:	0;4 hp
Refrigerant type:	R404a
Refrigeration power:	410 W
Refrigerant weight:	400 g