
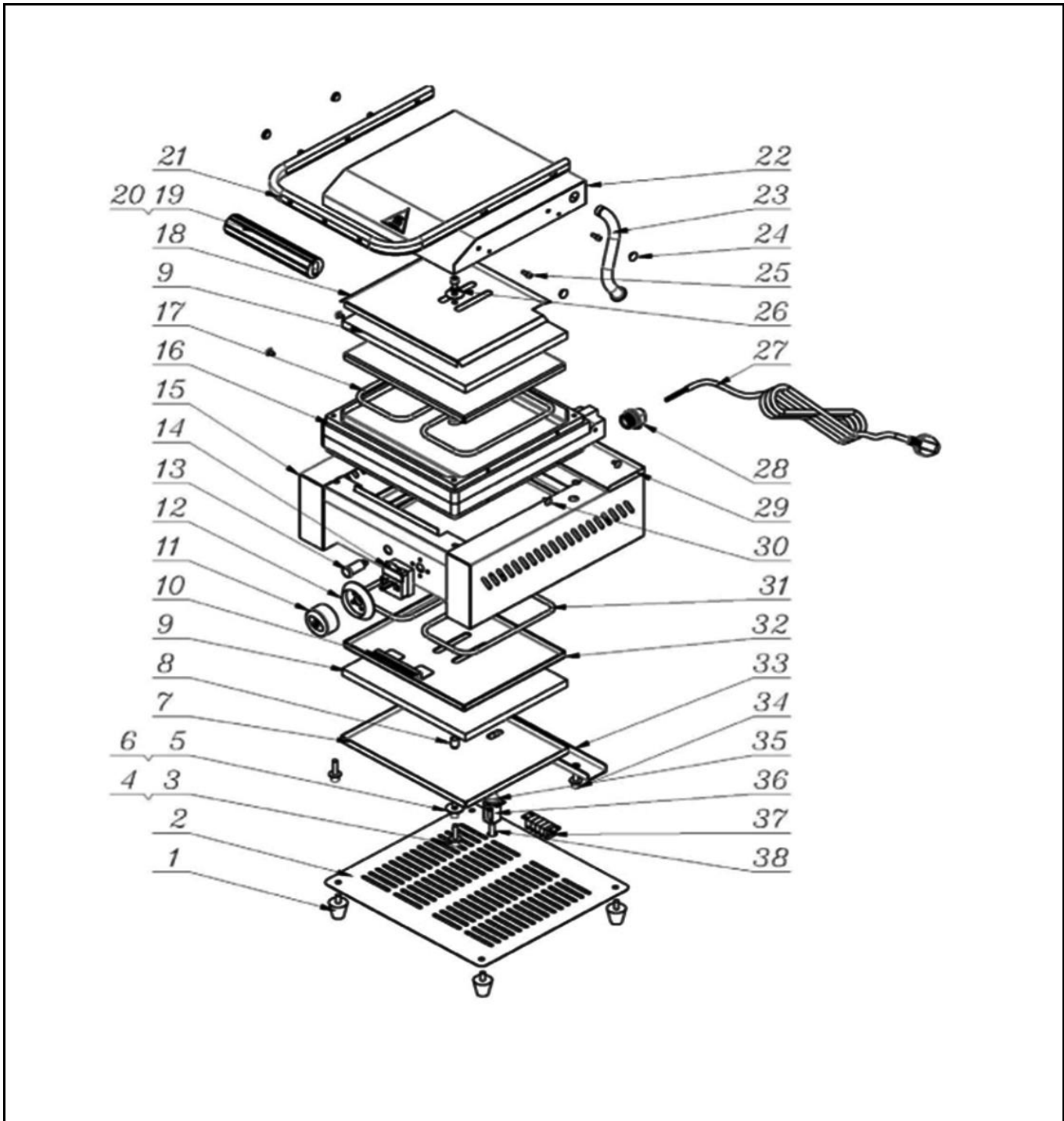



Drawing

 <p>Hendi B.V. Steenoven 21 3911 TX Rhenen The Netherlands</p>	Batch #	Appliance part#
	902711-00001 and up	212103
	Description	
	Waffle Maker	

Date	04-11-2013	Revision #	Revision version
Revision	First bill of materials (BOM)		



Bill of materials (BOM)

 Hendi B.V. Steenoven 21 3911 TX Rhenen The Netherlands	Batch #	Appliance part#
	902711-00001 and up	212103
	Description	
Waffle Maker		


Date	04-11-2013	Revision #	Revision version
Revision	First bill of materials (BOM)		

Item	Description	Part#	Quantity	Remark	Picture
1	Rubber foot	912058	4	Sold per 4 pcs	
2	Bottom plate	n/a	1		
3	Bolt	n/a	1		
4	Washer	n/a	1		
5	Bolt	n/a	1		
6	Washer	n/a	1		
7	Isolation plate	n/a	1		
8	Support plate isolation	n/a	1		
9	Isolation blanket	n/a	1		
10	Holder for probe	n/a	1		
11	Knob	921104	1		
12	Graduation plate	nss	1	Available as 921104	
13	Indicator light	921111	1		
14	Thermostat	902011	1		
15	Housing	n/a	1		
16	Grill plate	n/a	2		
17	Upper element	902301	1		
18	Isolation plate	n/a	1		
19	Handle	912249	1	(sold as a set with pos 19)	
20	Handle	nss	1	available as 912249	
21	Handle frame	931707	1		
22	Upper cover plate	n/a	1		
23	Guide pipe wiring	n/a	1		
24	Silicone cap	n/a	4		
25	Screw hexagon M5x16mm	n/a	4		
26	Washer	n/a	1		
27	Powercord (H05RN-F 3Gx1,5mm)	930045	1		
28	Cord inlet with retention	912201	1		
29	Oil drip tray	902325	1		
30	Screw M5x16mm	n/a	4		
31	Bottom element	902301	1		
32	Holder plate for element	n/a	1		
33	Bridge	n/a	1		
34	Bolt	n/a	2		
35	Hi-Limiter	902004	1		
36	Reset bracket	n/a	1		
37	Terminal	n/a	1		
38	Reset stiff	n/a	1		

n/a -> not available

nss -> not sold separately

Circuit diagram

 Hendi B.V. Steenoven 21 3911 TX Rhenen The Netherlands	Batch #	Appliance part#
	902711-00001 and up	212103
	Description	
	Waffle Maker	

Date	04-11-2013	Revision #	Revision version
Revision	First bill of materials (BOM)		

