

Drawing



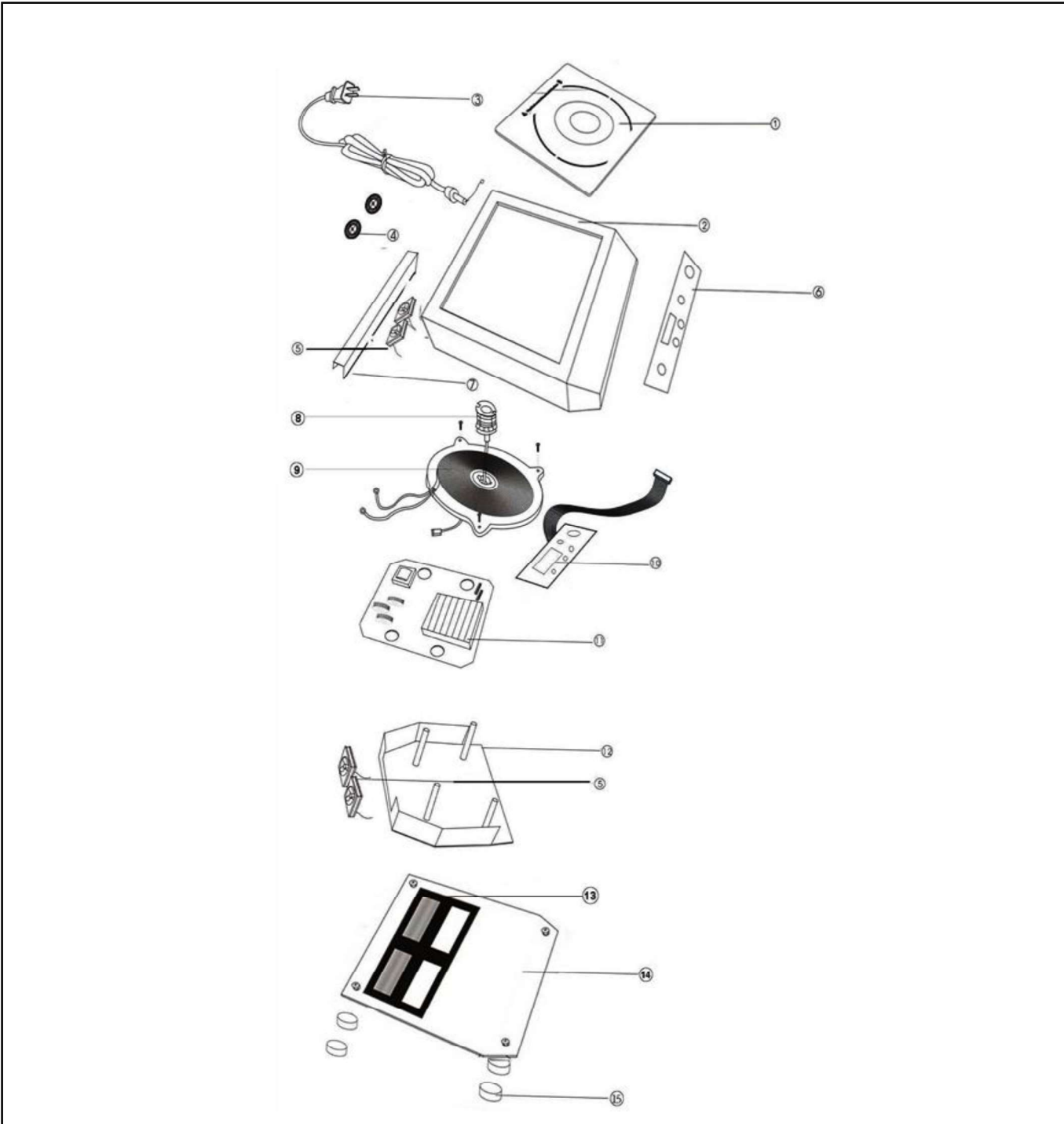
Hendi B.V.
Steenoven 21
3911 TX Rhenen
The Netherlands

Batch #
HK-170624 and
up


Appliance part#
239698

Description
Induction Cooker 3500 D XL

Date	28-03-2018	Revision #	1.1
Revision	New main pcb.		



Bill of materials (BOM)

 Hendi B.V. Steenoven 21 3911 TX Rhenen The Netherlands	Batch #	Appliance part#
	HK-170624 and up	239698
	Description	
Induction Cooker 3500 D XL		


Date	28-03-2018	Revision #	1.1
Revision	New main pcb.		

Item	Description	Part#	Quantity	Remark	Picture
1	Glass plate	nss	1	Available as 942284	
2	Upper housing complete	942284	1	Incl item 1,6,7,	
3	Power cord	929353	1		
4	Cover fan	n/a	2		
5	Fan 18V	901441	4		
6	Display glass	nss	1	Available as 942284	
7	Bracket	nss	1	Available as 942284	
8	Sensor (with thermal fuse)	932582	1		
9	Main coil	942291	1		
10	Control pcb	929971	1		
11	Main pcb	944325	1		
12	Plastic bracket	n/a	1		
13	Filter	942307	1		
14	Bottom cover	n/a	1		
15	Feet	901373	4		

n/a -> not available

nss -> not sold separately

Wiring diagram

 <p>Hendi B.V. Steenoven 21 3911 TX Rhenen The Netherlands</p>	Batch #	Appliance part#
	HK-170624 and up	239698
	Description	
	Induction Cooker 3500 D XL	

Date	28-03-2018	Revision #	1.1
Revision	New main pcb.		

