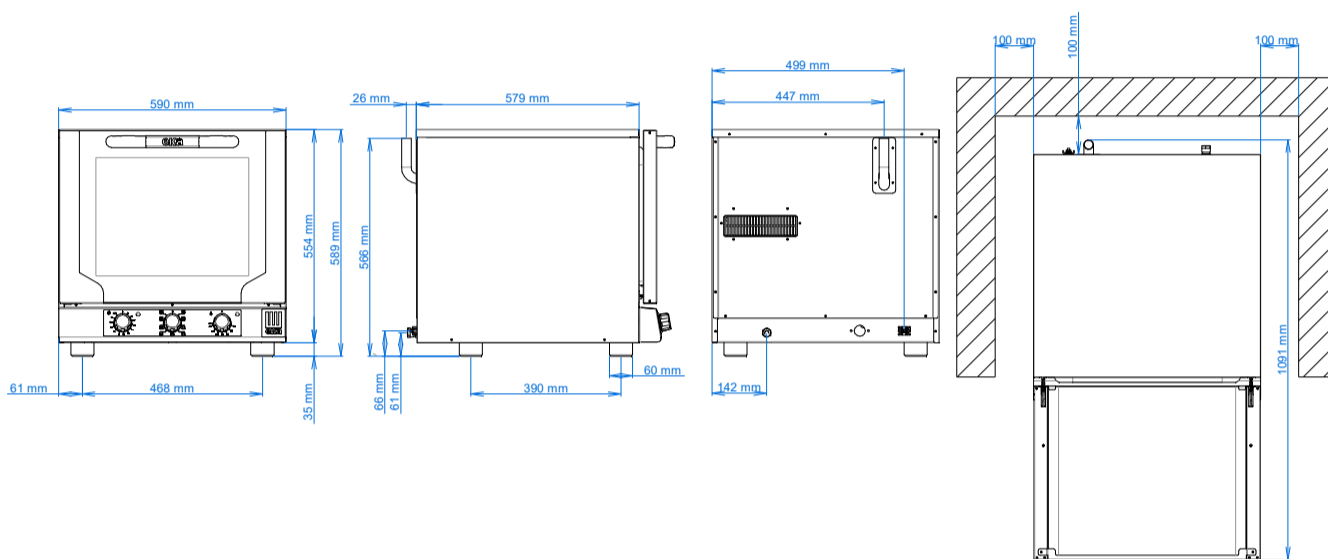


# EKF 423 NM



## ELECTRIC CONVECTION OVEN WITH MULTIFUNCTION



DIMENSIONAL FEATURES			
Oven dimensions (WxDxH mm)	590	709	589
Oven weight (kg)	36,4		
Distance between rack rails (mm)	74		

FUNCTIONAL FEATURES	
Power	Electricity
Capacity	N° 4 trays/grids 429x345 mm
Type of cooking	Ventilated
Steam	Indirect with button
Cooking chamber	AISI 430 Stainless steel
Temperature	100 - 260 °C
Temperature control	Thermostat
Control panel	Electromechanic - Lower side
N° of programs	/
Programmable cooking steps	/
Pre-heating temperature	/
Pre-heating function	/
Door	Tilt door Ventilated Inspectionable glass
Modularity	Available

ELECTRICAL FEATURES	
Power supply (kW)	2,6
Frequency (Hz)	50/60
Voltage (Volt)	AC 220/230
N° of motors	1 Unidirectional
Boiler	/
Protection against water	IPX3

EQUIPMENT			
Cardboard box dimensions (WxDxH mm)	650	760	600
Aluminium tray 429x345	4 pcs (cod. KV7)		
Lateral supports	1 right + 1 left		
Cable	Single-phase [3G 1,5]-L=1600 mm		